



Description

Capsula is a sophisticated light bearing resemblance to a plant cell or seed. The nucleus of the piece is a tubular triplex-glass LED light source that transects the inner shade and translucent external shell to form a notional axis.



Tech. description

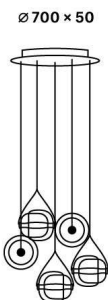
Capsula comprises three glass components. The light source is housed in a glass tube and uses special Brokis connectors in metal end caps. The end caps hold the light together even once the cords have been removed. The light is hung from a ceiling canopy, which also contains the electronics.

Colours options: https://brokis.sharepoint.com/:b:/s/brokis_sp/ESVWoccDoV9OgAO5lw6kuMYBXiKpmZNmWEj6qYD4BAI

CONSTRUCTION SPECIFICATION

Weight:	20 kg
Construction material:	glass, metal
Cord length [mm]:	2,200 mm
Mounting:	Ceiling
Environment:	Indoor

DIMENSIONS [mm]



ELECTRICAL SPECIFICATION

Input voltage [V]:	100 - 240 V
Frequency [Hz]:	50-60 Hz
Max. power [W]:	5 x 25 W
Coverage IP:	20
Socket:	non-user replaceable LED module
Light source:	-
Energy class:	A+

CERTIFICATIONS





CP6423

Type	LED module
Lamp wattage [W]	5 W
Input voltage [V]	24 VDC
Energy class	A+
Flux [lm]	300 lm
Light colour [K]	2700 K
CRI	80+
Lifespan [h]	20000h
Dimmable	yes (PWM)



DATASHEET

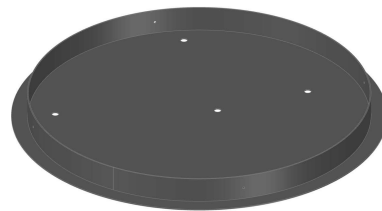
RECOMENDED CANOPY



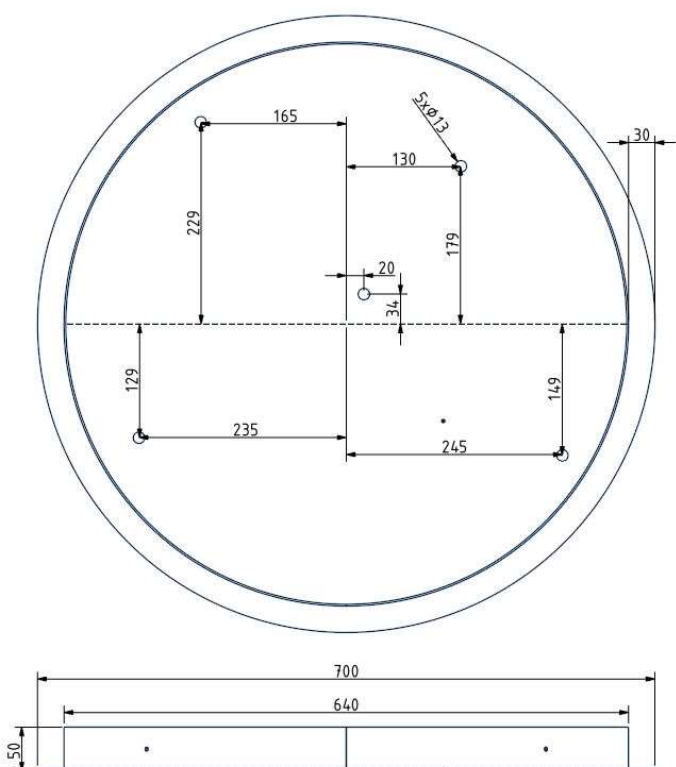
Download

CEILING CANOPY

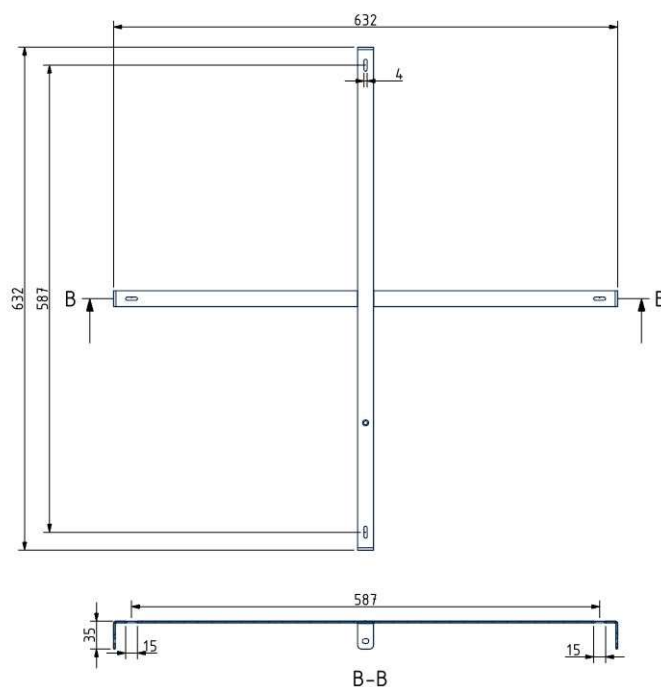
Dimensions O x w [mm] 700 x 50 mm
Weight [kg] 8.3 kg
Material metal



Drawing



Canopy bracket



BROKIS S.R.O.
ŠPANIELOVA 1315/25
163 00 PRAHA 6 - ŘEPY
CZECH REPUBLIC

ORG ID 64940799
VAT ID CZ64940799
C 42174 MĚSTSKÝ SOUD
V PRAZE

TEL +420 567 211 517
TECHNICAL@BROKIS.CZ
INFO@BROKIS.CZ
WWW.BROKIS.CZ

2020_08
PAGE 3