

Bolt / Bracket

by Steve Jones



Innermost WEEE
registration number:
WEE/FH1713VS

SAFETY WARNINGS

Installation should only be undertaken by a qualified electrical engineer. If using the connector block provided this will need to be inserted into the wall void. To remove the outer backplate, simply unscrew and detach the flat plate from wall bracket.

The light source contained in this luminaire is integrated and shall only be replaced by the manufacturer or his service agent or a similar qualified person.

TECHNICAL INFORMATION

Bolt/Bracket - Integrated LED Source,
Sharp Chip, chip life 30,000 hours
13W, 1150lm, 3000K, CRI (Ra) 93
Beam Angle 120°
Dimmable via leading /trailing edge + TRIAC
dimmer

CLEANING AND CARE

Switch off the luminaire before cleaning.

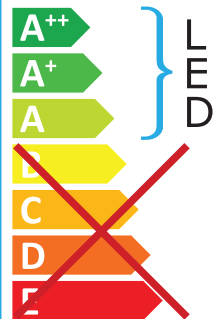
Use a non-abrasive cloth to keep your Bolt or/and Bracket clean.

innermost

BOLT / BRACKET WB0X8101

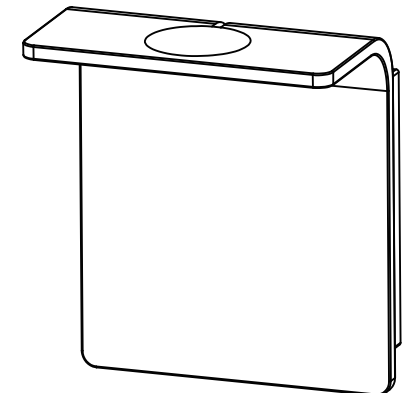
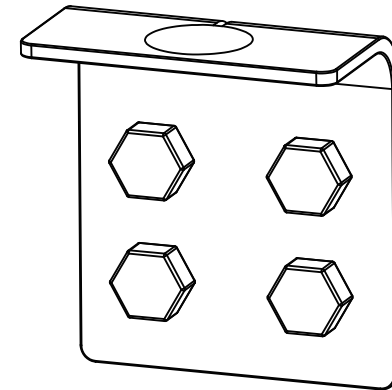


This luminaire
contains built-in
LED lamps



This lamp cannot be changed
in the luminaire.

874/2012



INSTALLATION GUIDE FOR:

Bolt EU/UK - WB078101

Bracket EU/UK - WB088101

www.innermost.net

OXO Tower Wharf Bargehouse Street London


innermost[®]

For further information, please
contact: info@innermost.net

Bolt / Bracket

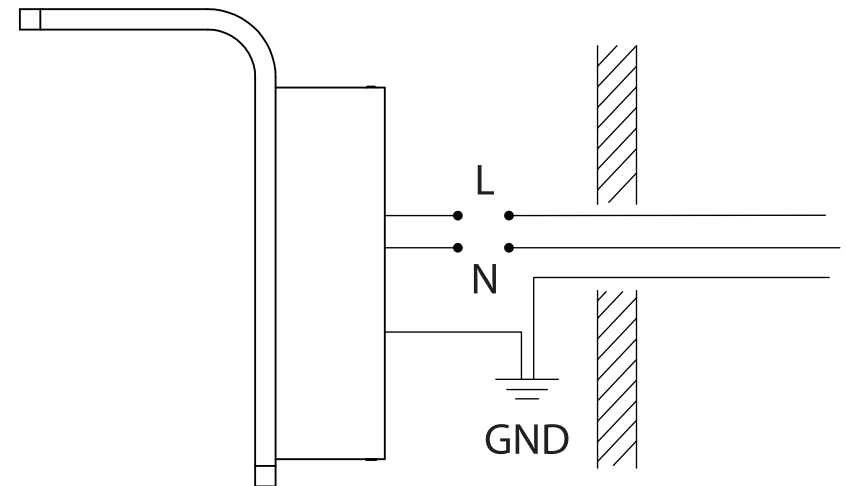
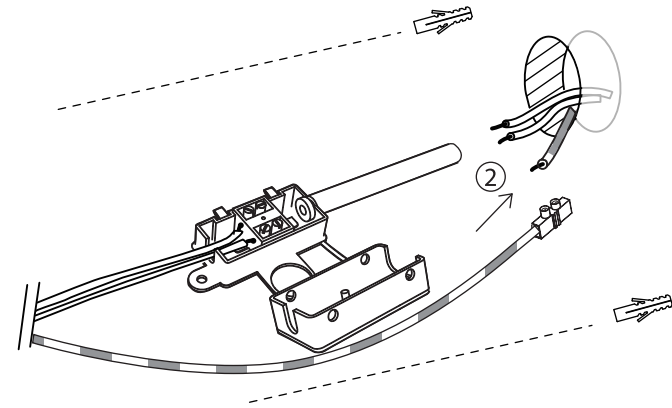
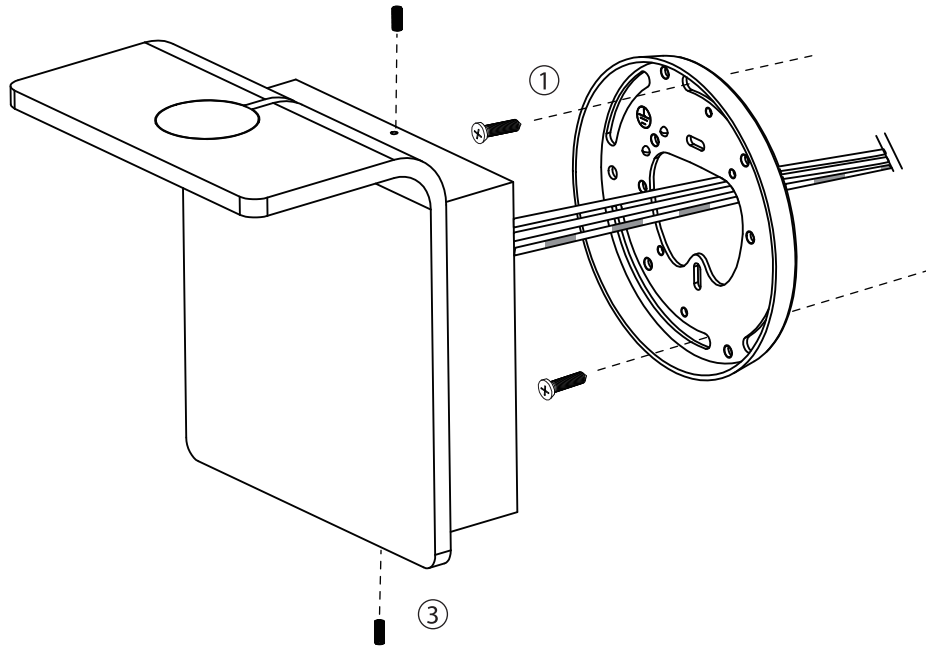
by Steve Jones

220-240v . EU Installation

Class 1 

innermost®

EU



Bolt EU/UK - WB0781XX
Bracket EU/UK - WB0881XX