

## SPEERS S M/L

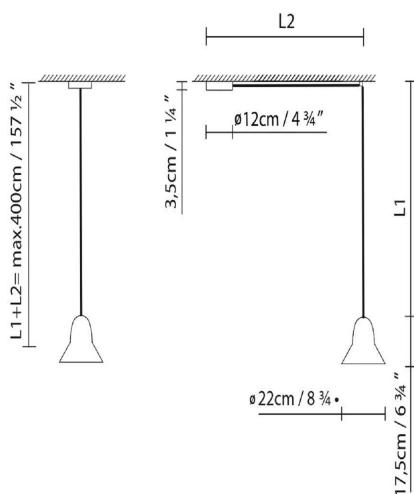
By David Abad



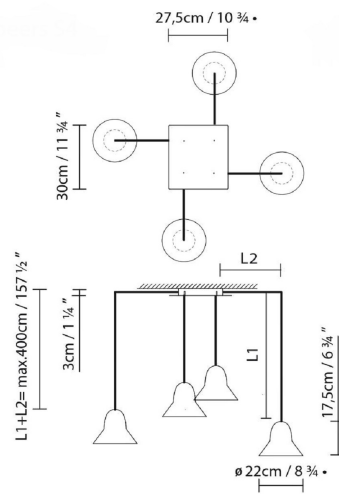
### Description:

Suspension lamp system available with different sizes of shade. The S shade is made in copper or brass and available in solid copper or brass finishes, both with a shiny exterior and a satin interior. It is also sold in a textured matte black or white exterior, combined with a shade interior in satin brass or copper. M and L shades are made in aluminum and available in solid textured white or matte black. The Speers single and the multiple fixture lamps (S2, S3, S4, S5 and S6) are available in a surface version and the canopies are always white or black. Speers lamps are equipped with a high-luminance LED light source. They include a glass lens that focuses the light and enhances its luminous efficiency. There is an optional opal diffuser providing general diffused lighting.

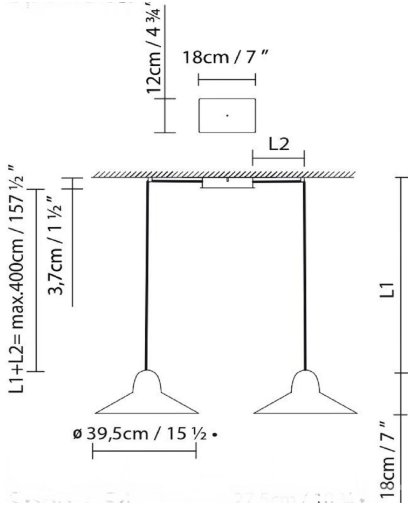
### SPEERS S1



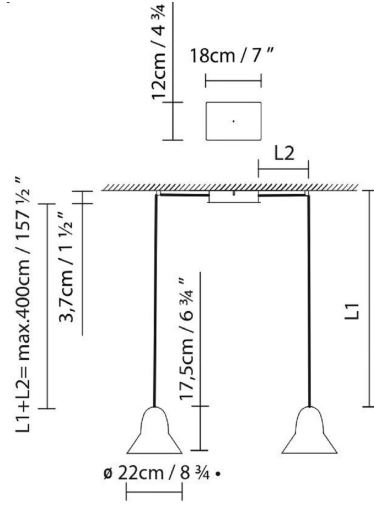
### SPEERS S4



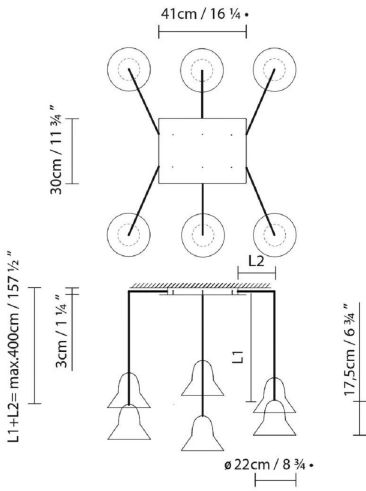
SPEERS S3



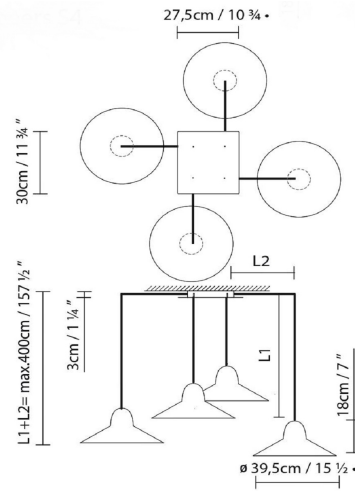
SPEERS S2



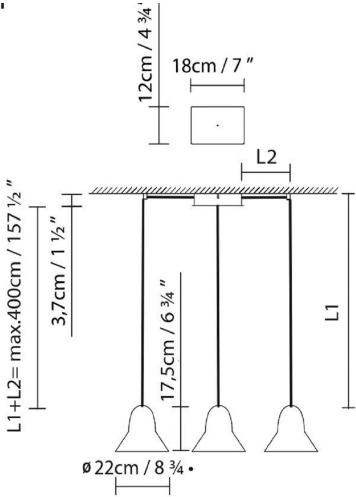
SPEERS S6



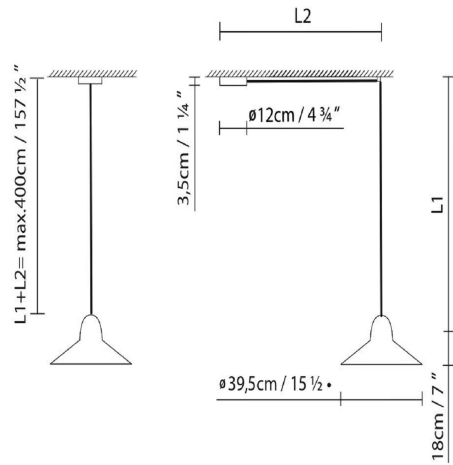
SPEERS SR1



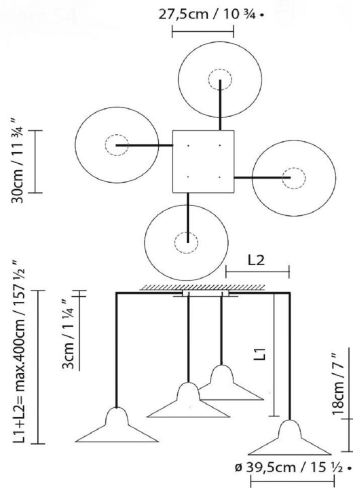
SPEERS S3



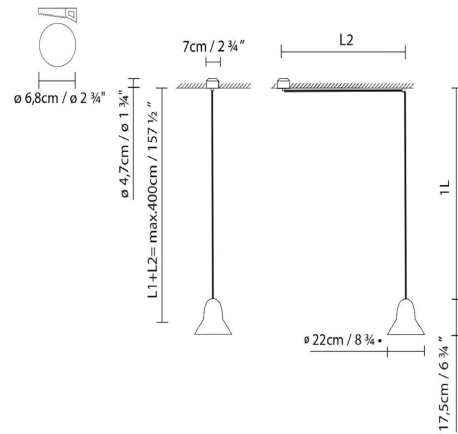
SPEERS S1



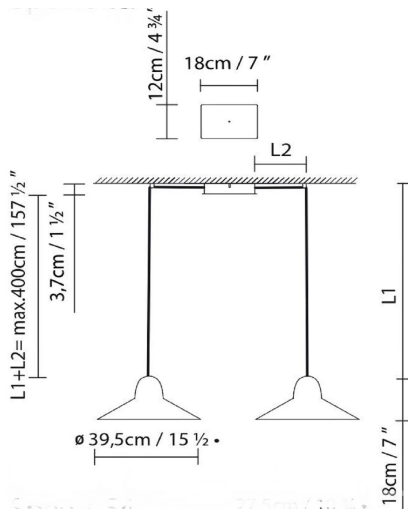
## SPEERS S4



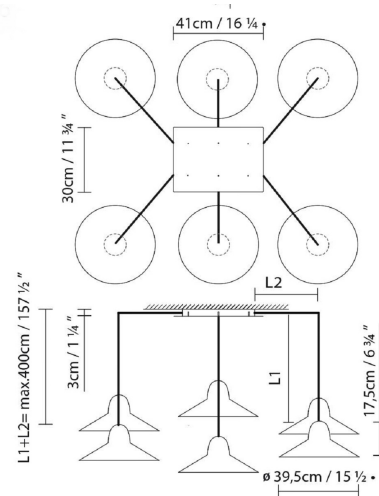
## SPEERS SR1



## SPEERS S2



## SPEERS S6



● Black (matte)      ○ White (matte)

CODE	LAMP	LIGHT SOURCE	DIM	BULB	kg
729332U	SPEERS S1/M BLACK				
729337U	SPEERS S1/L BLACK	LED 9W 1100lm 500mA 2700K CRI≥90 110-240V	PUSH/1-10V	A++	
729331U	SPEERS S1/M WHITE				
729336U	SPEERS S1/L WHITE				
729382	SPEERS SINGLE M BLACK+				
729387	SPEERS SINGLE L BLACK+	LED 9W 1100lm 500mA 2700K CRI≥90 110-240V		A++	
729381	SPEERS SINGLE M WHITE+				
729386	SPEERS SINGLE L WHITE+				

729362 SPEERS S2/3 CANOPY BLACK+

729361 SPEERS S2/3 CANOPY WHITE+

729372 SPEERS S4 CANOPY BLACK+

729371 SPEERS S4 CANOPY WHITE+

729382 SPEERS S6 CANOPY BLACK+

729381 SPEERS S6 CANOPY WHITE+

PUSH/1-10V



Designer

Fotometría

**grupoblux.com**