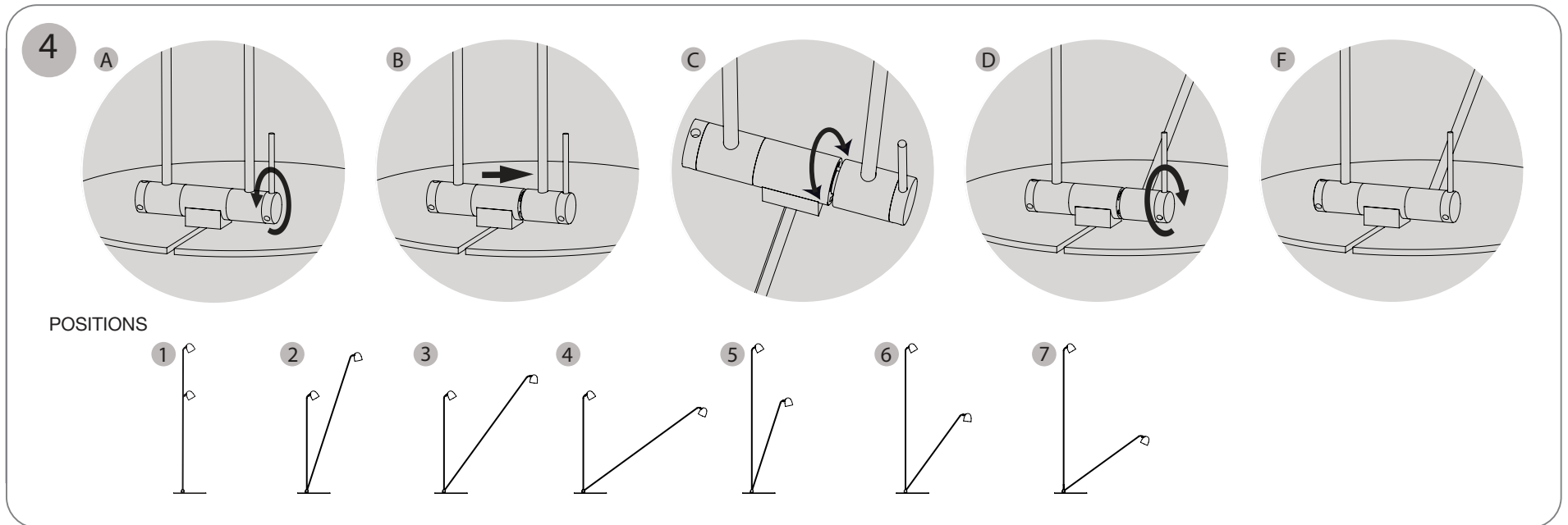







1. General dimensions of the lamp.
2. Screw the base to the body of the lamp, as shown in the diagram.
3. Connect the plugs and put the light head (A). Thread the stud to affix the light head (B).



4. To change the position of the light, follow the instructions below: Loosen the base assembly by turning the rod (A). Move the light (B). Rotate the stem on the lamp into the desired position (C). Turn the base assembly again to tighten the lamp (D). Lamp secured in the desired position (F).

Consumer information:

- Lamps without the IP mark are classed as IP20 and are designed for general interior use, except wet areas (bathrooms, etc.)
- Lamps with the IP mark are designed for exterior use and in wet areas. (E.g. IP54)
- They offer guaranteed protection to people and animals against electrical discharge:
  - Class I: through single electrical insulation and an earthing conductor once correctly connected.
  -  • Class II: through double electrical insulation.
  -  • Class III: these kinds of lamps should be connected at very low voltage levels (generally 12V); therefore there is no risk.
-  • Lamps with this symbol, or without any symbols, can be mounted directly onto normally inflammable surfaces.
-  • Lamps with this symbol cannot be mounted directly onto normally inflammable surfaces.
  - The safety of this lamp is guaranteed by using a maximum wattage bulb that does not exceed the figure displayed visibly on the lamp.
-  • The product cannot be treated like conventional domestic waste; it must be taken to the corresponding recycling point for electrical and electronic equipment.

## Assembly instructions

**B.lux**

B.LUX S.A.  
Pol. Ind. Okamika, pab. 1  
48289 Gizaburuaga (Bizkaia) Spain  
T. (+34) 94 682 72 72  
F. (+34) 94 682 49 02  
info@grupoblux.com  
www.grupoblux.com