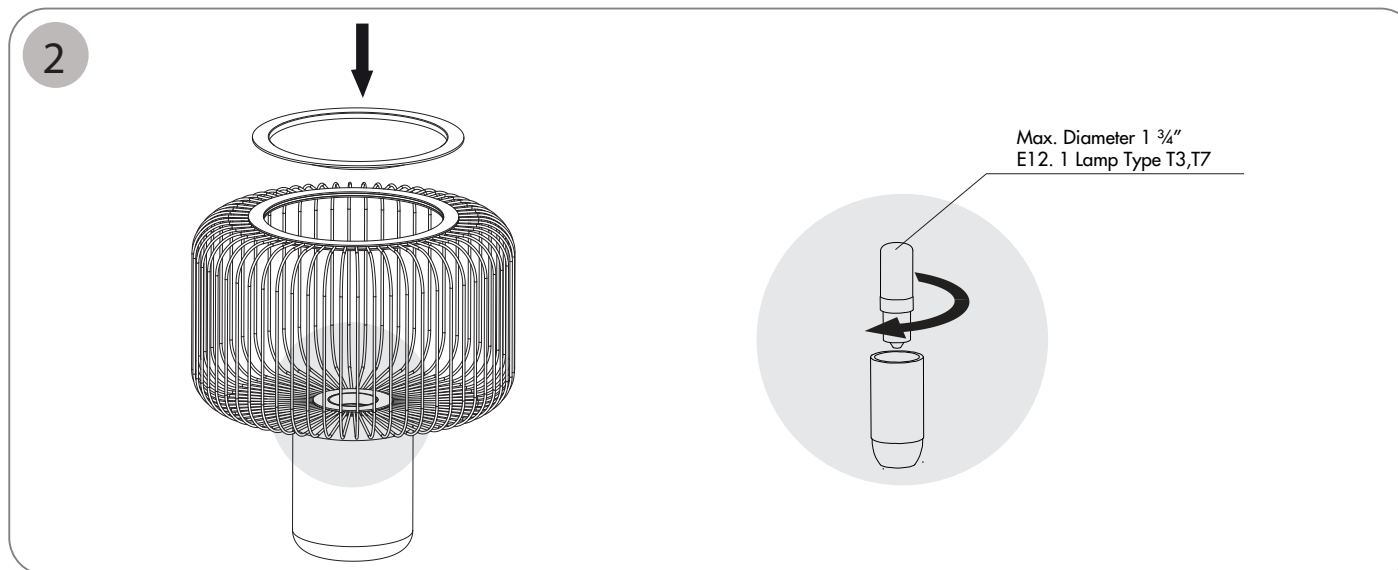







1. General dimensions of the light fitting

2. Screw in the E12 bulb and place the reflector in its position.

3. Plug in the lamp.



Consumer information:

- Lamps without the IP mark are classed as IP20 and are designed for general interior use, except wet areas (bathrooms, etc.)
- Lamps with the IP mark are designed for exterior use and in wet areas. (E.g. IP54)
- They offer guaranteed protection to people and animals against electrical discharge:
 - Class I: through single electrical insulation and an earthing conductor once correctly connected.
 -  • Class II: through double electrical insulation.
 -  • Class III: these kinds of lamps should be connected at very low voltage levels (generally 12V); therefore there is no risk.
-  • Lamps with this symbol, or without any symbols, can be mounted directly onto normally inflammable surfaces.
-  • Lamps with this symbol cannot be mounted directly onto normally inflammable surfaces.
- The safety of this lamp is guaranteed by using a maximum wattage bulb that does not exceed the figure displayed visibly on the lamp.
-  • The product cannot be treated like conventional domestic waste; it must be taken to the corresponding recycling point for electrical and electronic equipment.

Assembly instructions

B.lux

B.LUX S.A.

Pol. Ind. Okamika, pab. 1
48289 Gizaburuaga (Bizkaia) Spain
T.(+34) 94 682 72 72
F. (+34) 94 682 49 02
info@grupoblux.com
www.grupoblux.com