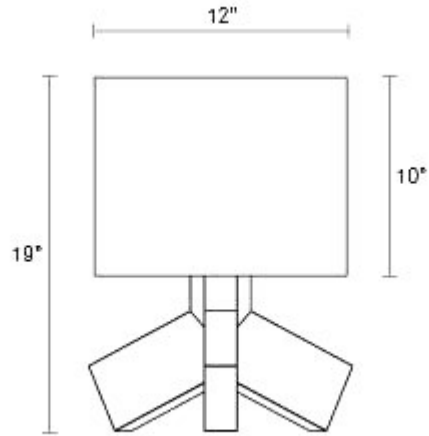




Rook Table Lamp

Like a beautiful wood puzzle, this little light of ours is surprisingly uncomplicated. Three solid walnut legs converge to create a trifecta of delight. Stand it on one leg for a neat party trick.



WALNUT

Product Details

RO1-TBLGHT-WL

WALNUT

- Solid walnut base
- Linen shade
- Cloth-covered cord
- Light switch located on socket
- Standard A19 shaped LED bulb with E26 base included
- Maximum wattage 100W or an equivalent CFL or LED bulb
- Voltage: 120v
- UL listed
- Some assembly required

Are you a trade professional? Visit bludot.com/trade-contract

BLUDOT.COM

TEL 844.425.8368

service@bludot.com