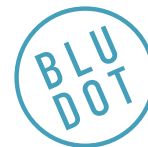
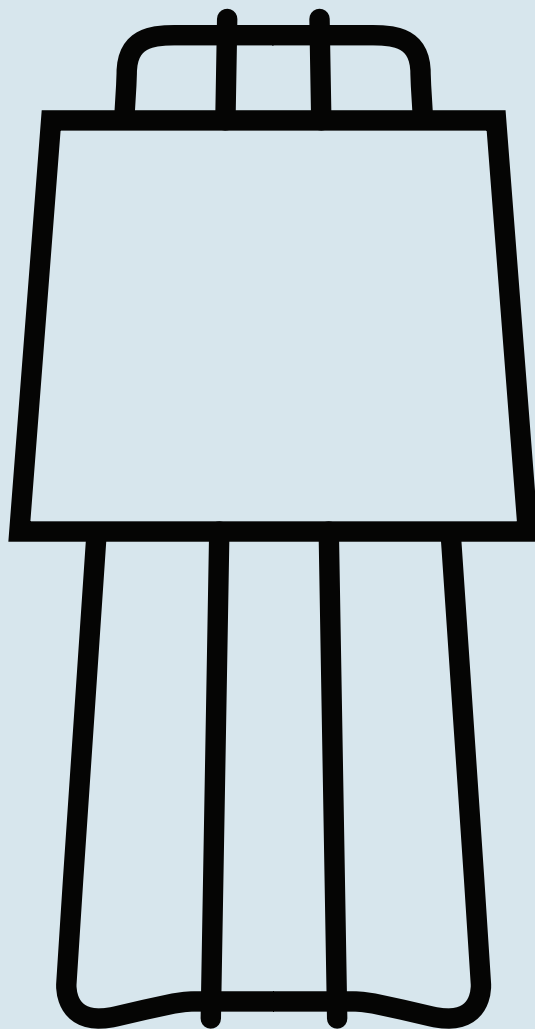


Perimeter Table Lamp



DESIGNED IN 2016

ASSEMBLY NOTES | REV 02



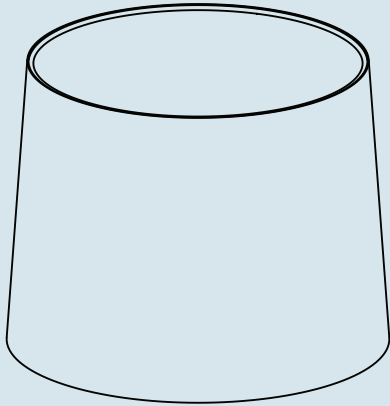
LIGHTEN UP BUTTERCUP

Svelte loops of powder-coated steel hold an oversized cloth-covered shade.

NEED A HAND?

Contact us at service@bludot.com or **844.425.8368** for assistance.

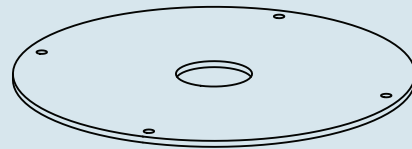
Parts & Hardware



QTY

1

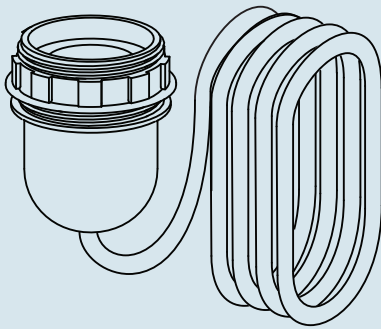
Shade



QTY

1

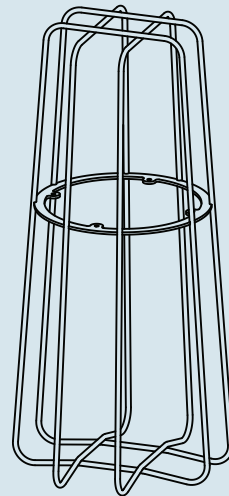
Diffuser



QTY

1

Socket



QTY

1

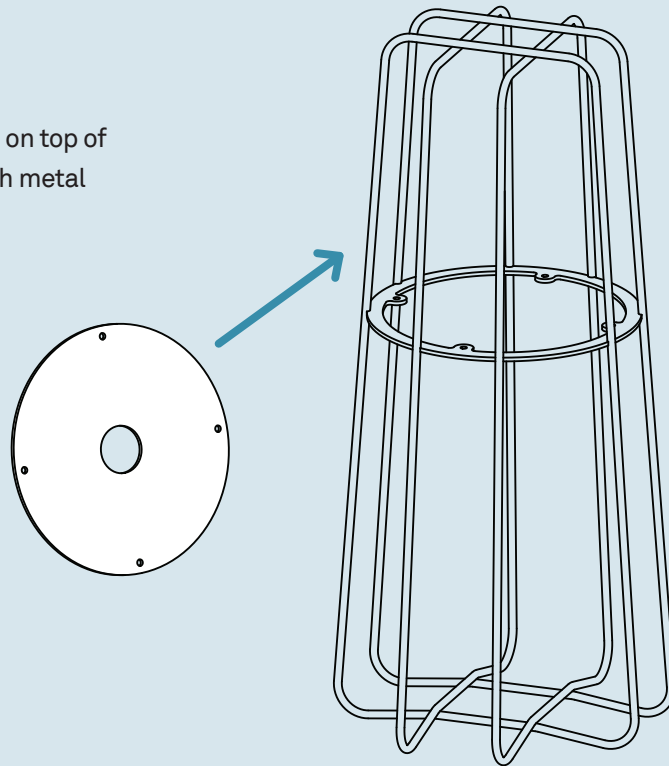
Base

Due to regulatory requirements light bulbs (E-26 10W Dimmable LED) are provided.

Step 01

INSTALL DIFFUSER

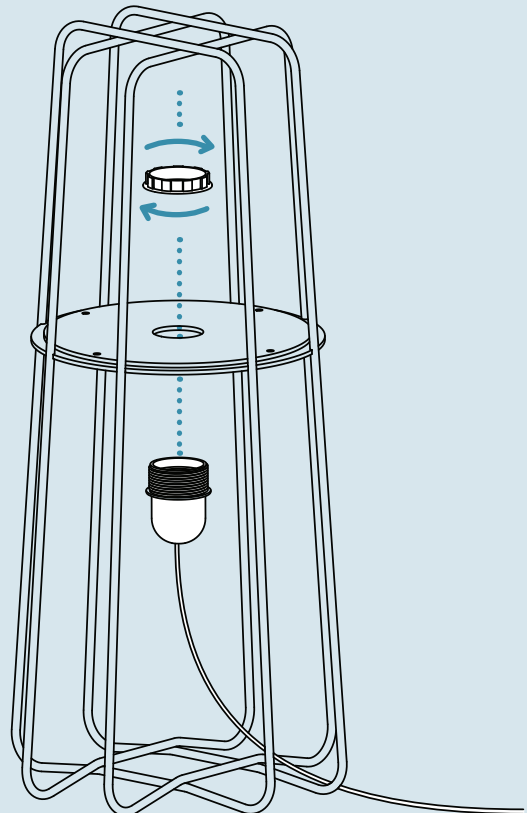
Angle diffuser sideways and place on top of metal ring. Align diffuser holes with metal ring holes.



Step 02

ATTACH SOCKET

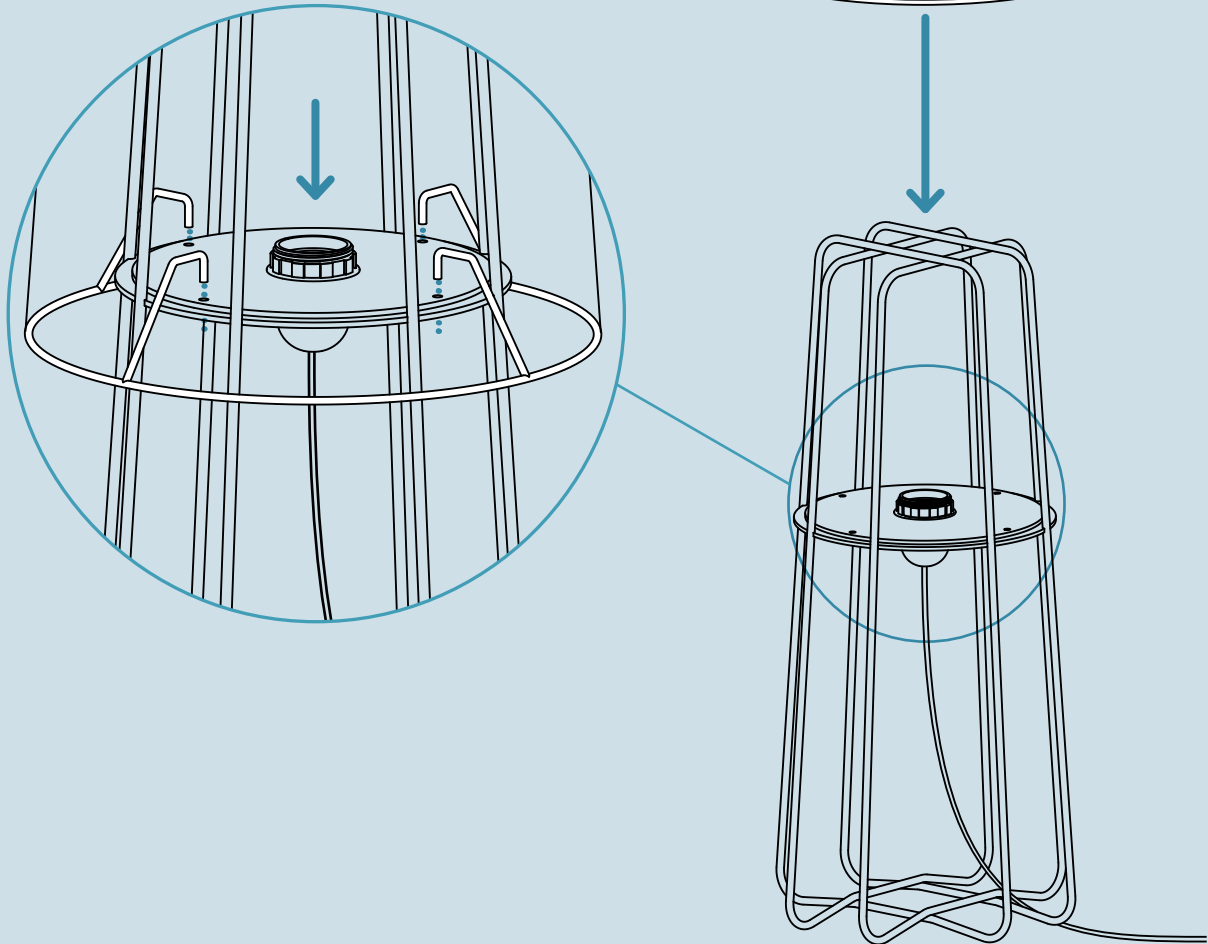
Attach provided socket as shown.



Step 03

INSTALL SHADE

Align shade support hooks with holes in diffuser. Press hooks into diffuser holes.



Additional Information

CLEAN

Unplug lamp prior to cleaning. Clean with a slightly damp, soft cloth. To remove dirt and fingerprints, use an ammonia-free cleaner. Wipe completely dry with a soft cloth.

