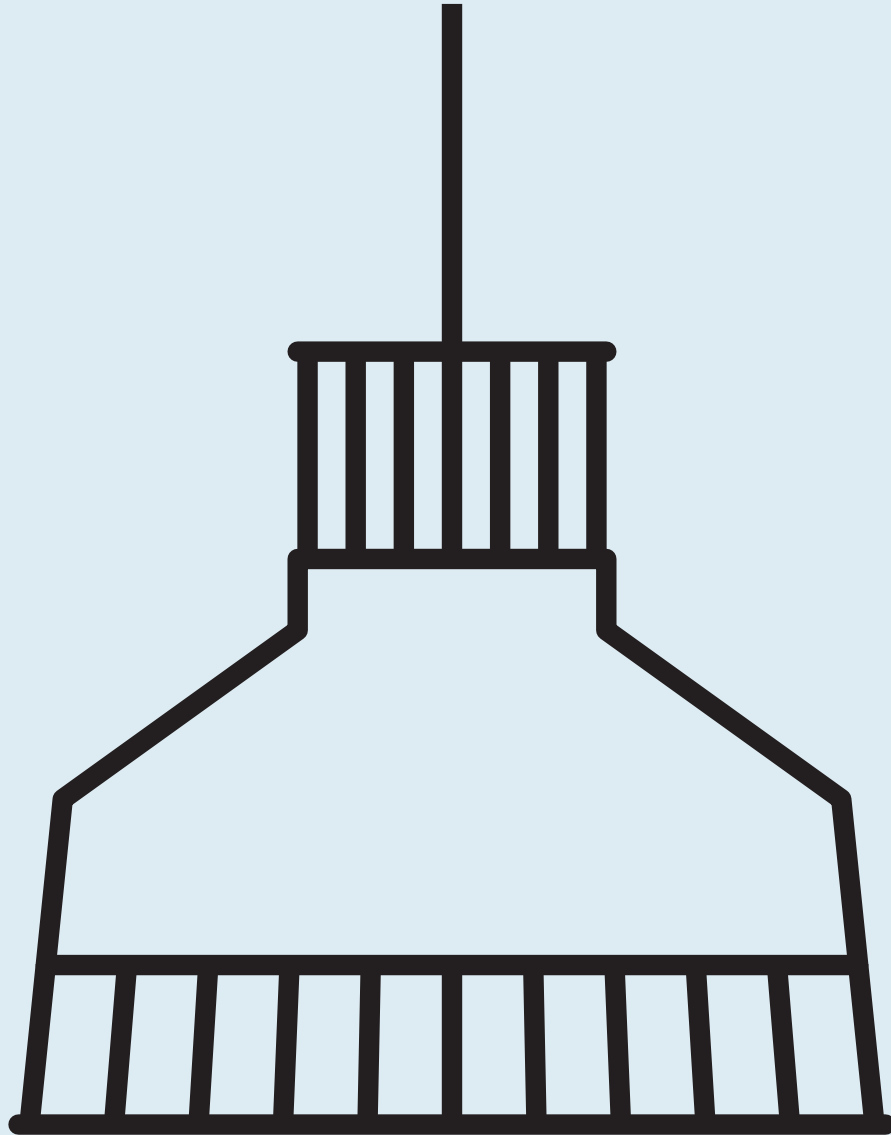
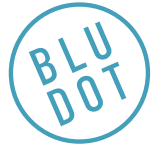


# Laika Pendant

DESIGNED IN 2013

ASSEMBLY NOTES | REV 00



## NEED A HAND?

Contact us at [service@bludot.com](mailto:service@bludot.com) or **844.425.8368** for assistance.

## @BLUDOT

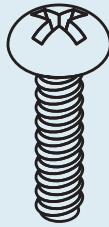
We design all our pieces in our Minneapolis studio. Follow along on Instagram for some sneak peeks into the process.

# Parts & Hardware



QTY 2

PT. 1061



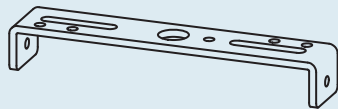
QTY 2

PT. 1060



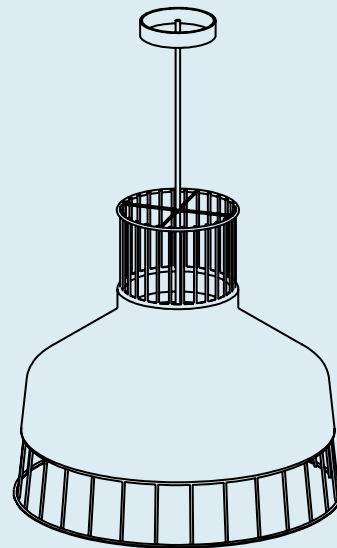
QTY 3

PT. 8021



QTY 1

Mounting Bracket



QTY 1

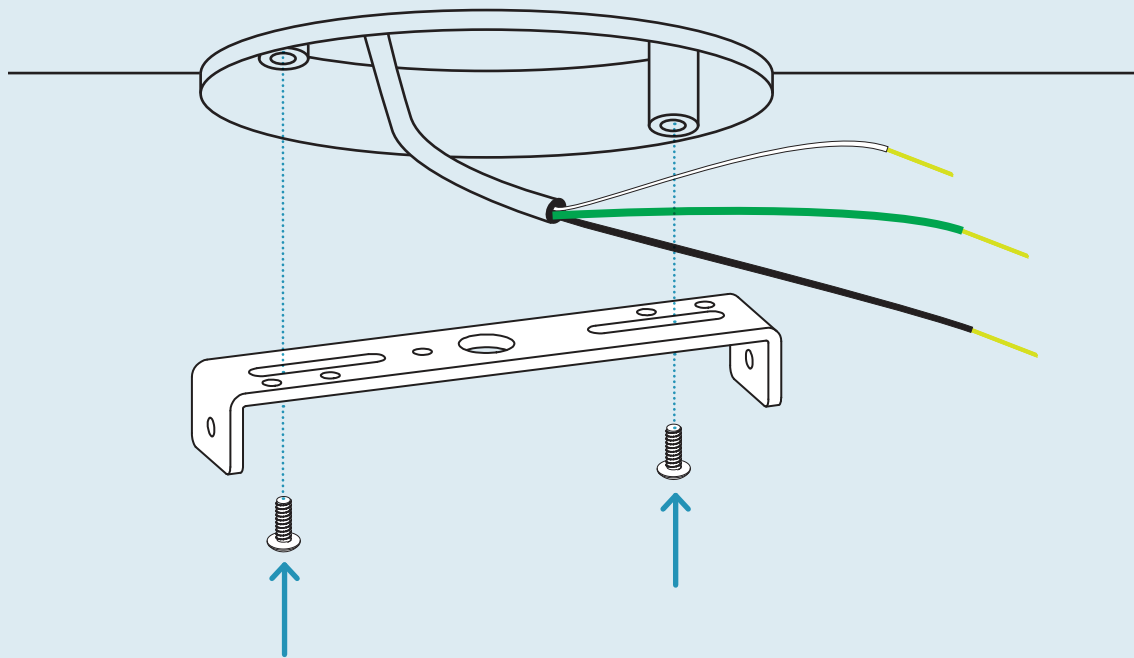
Pendant

NOTE: Electricity is dangerous. It is recommended to hire a professional electrician to install your lamp.

# Step 01

## ATTACH MOUNTING BRACKET.

1. Disconnect power.
2. Attach mounting bracket to ceiling electrical box as shown using the provided hardware.

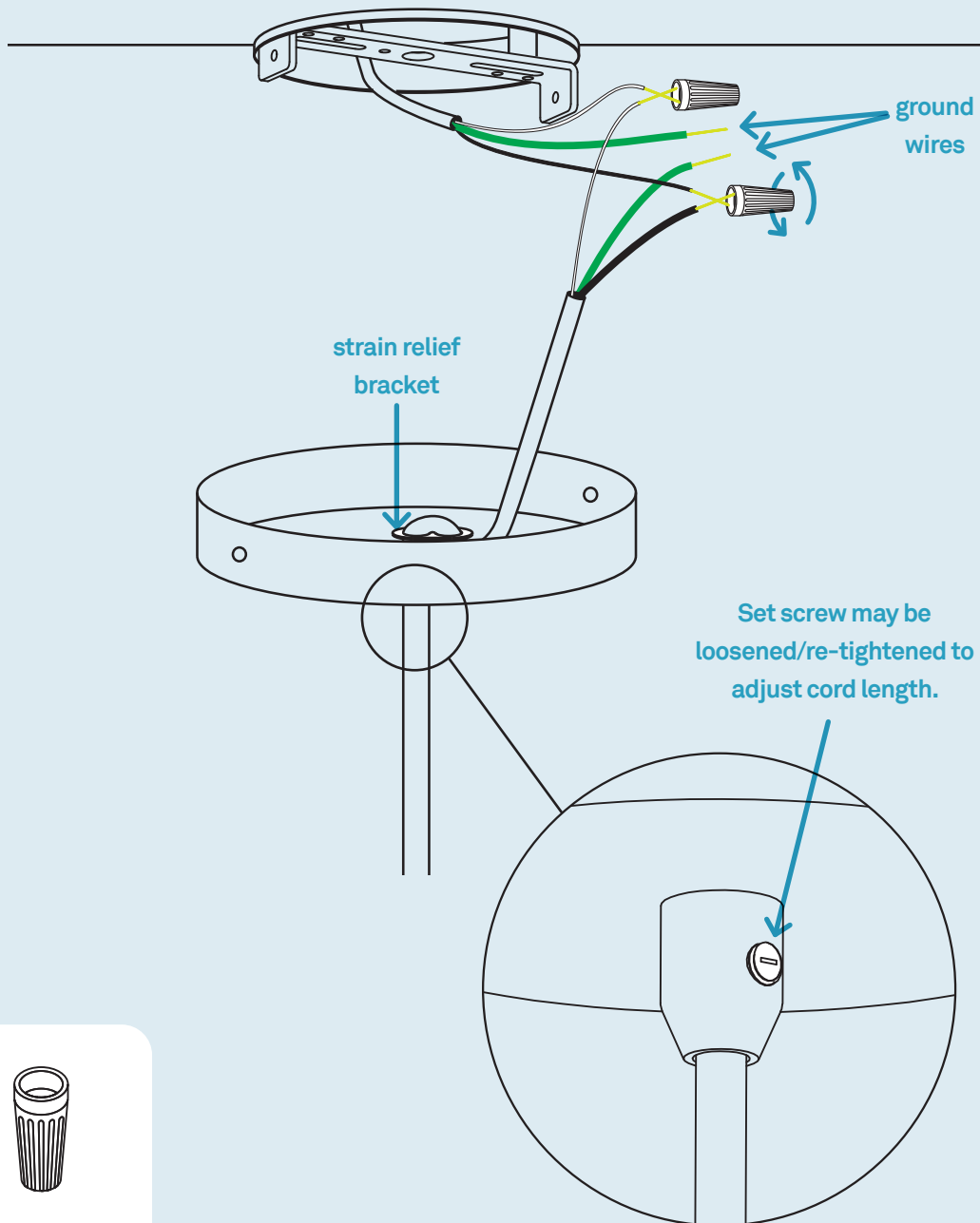


PT. 1060 x 2

## Step 02

### HARDWIRE PENDANT.

1. Cut pendant cord to desired length, allow 4" above canopy for wiring.
2. Twist matching copper wires together.
  - white to white
  - black to black

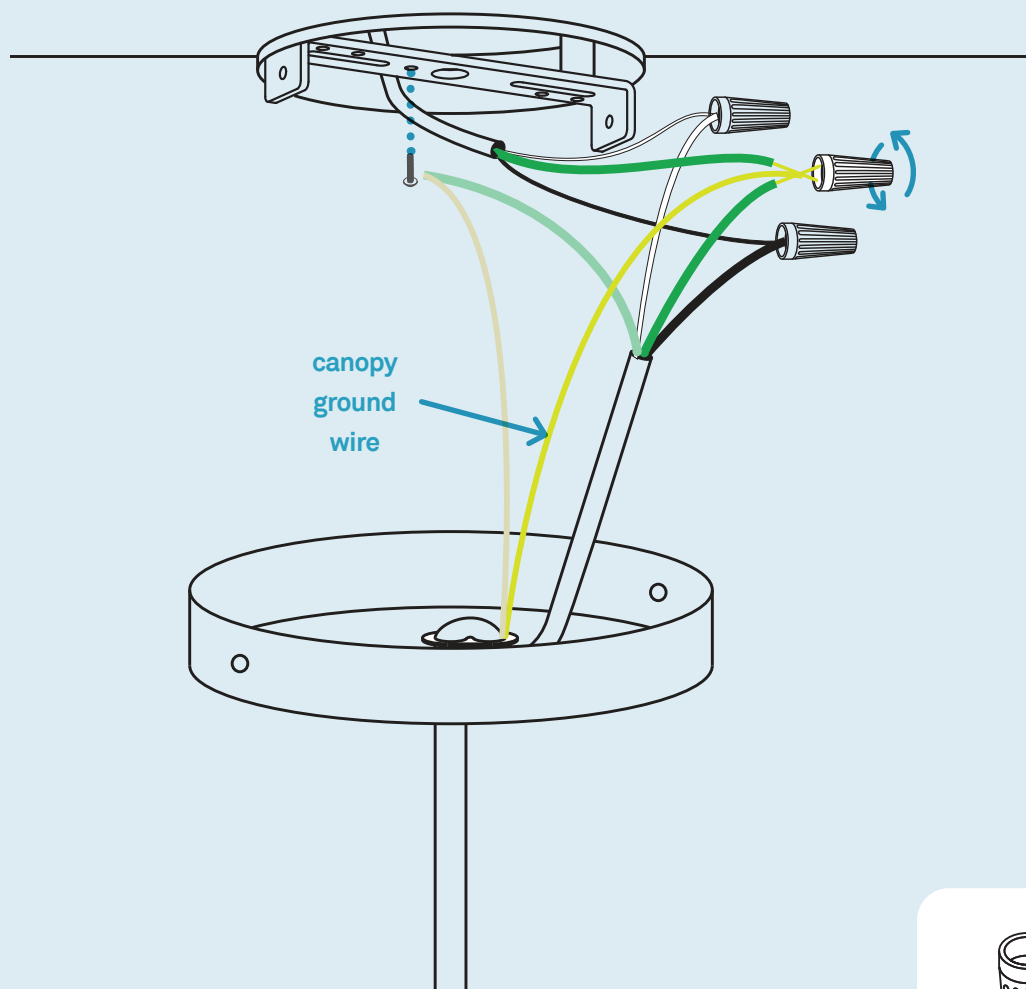


PT. 8021 x 2

# Step 03

## GROUND PENDANT.

1. Locate bare copper wire inside pendant canopy.
2. Twist matching copper wires together in addition to bare canopy wire.
3. If no green wire (ground wire) is present in electrical box, wrap wire around pre-attached screw on mounting bracket and tighten into place.

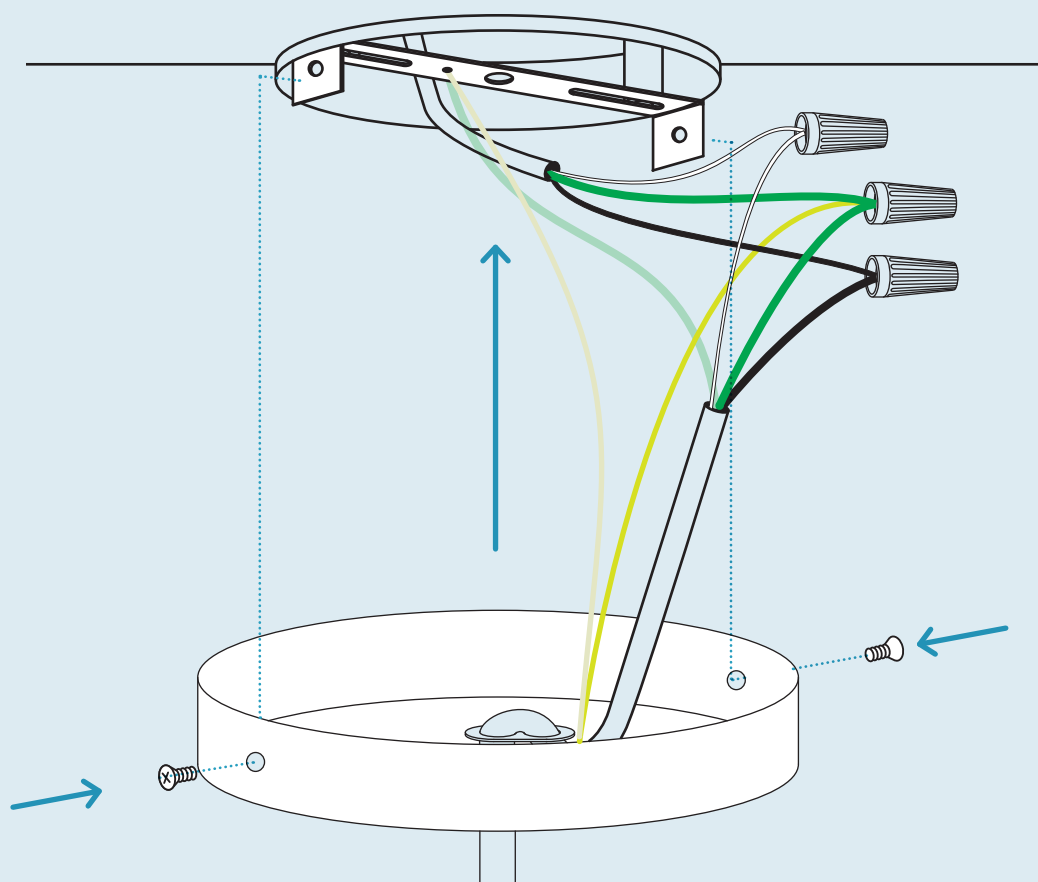


PT. 8021 x 1

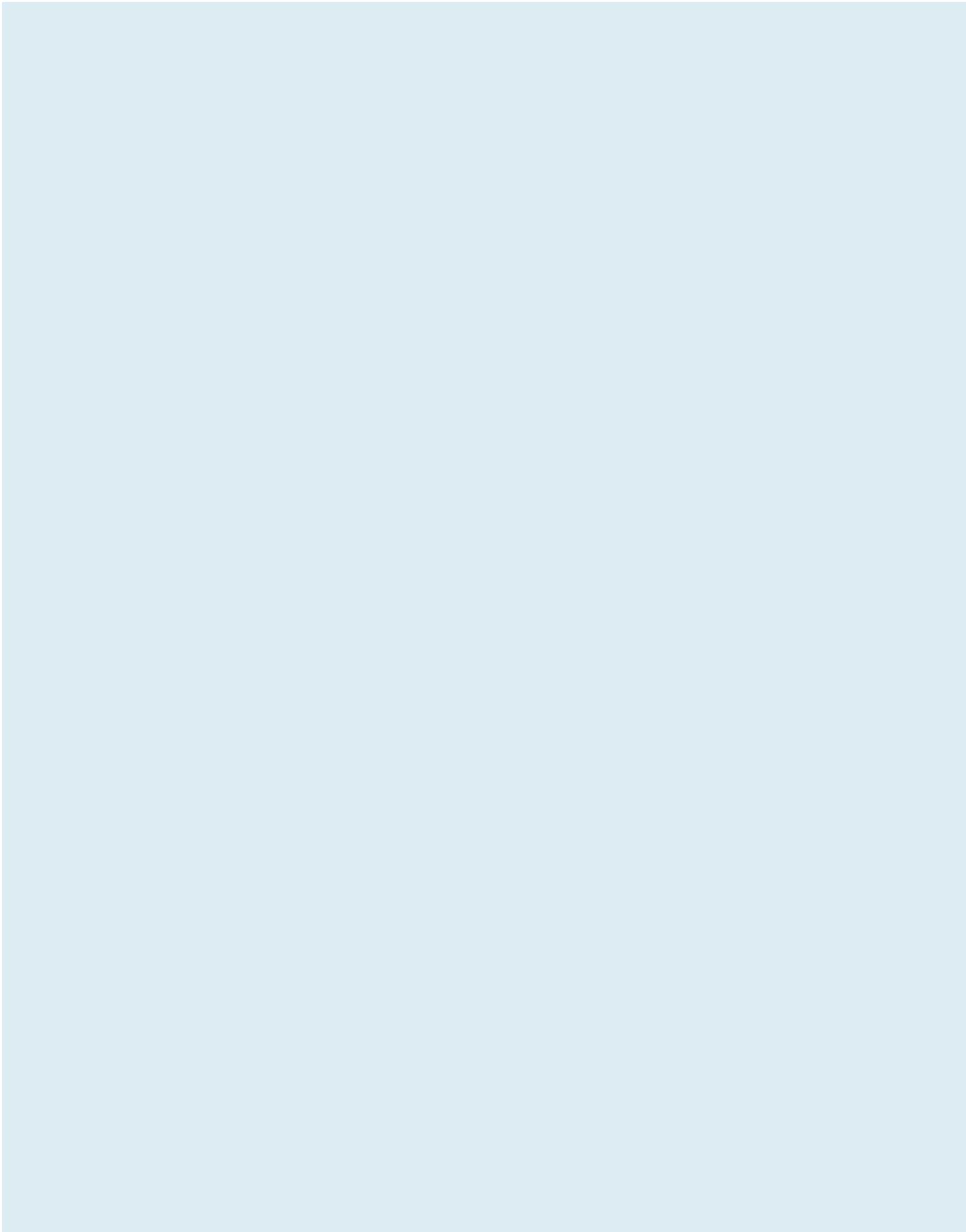
## Step 04

### ATTACH CANOPY TO BRACKET.

1. Align vertical holes on mounting bracket with side canopy holes.
2. Attach as shown using the provided hardware.
3. Re-connect power.



PT. 1061 x 2



## Additional Information

### NOTE

This unit is meant for indoor use in dry locations only. This lamp uses an E26 bulb with a maximum wattage of 100W or an equivalent CFL or LED bulb.

### CLEAN

Clean surfaces with a dry soft cloth or sponge.

