

BERT | FRANK

STASIS FLOOR LAMP

MAINTENANCE

- Lacquered brass should be wiped with a soft duster.

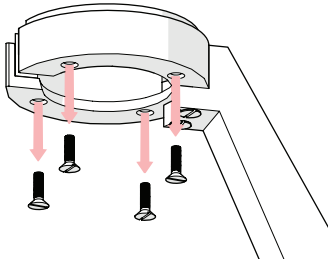
TECHNICAL

- 1 x ES LED

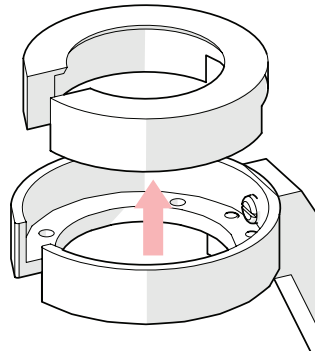
www.bertfrank.co.uk
+44 (0)207 164 6482

INSTALLATION

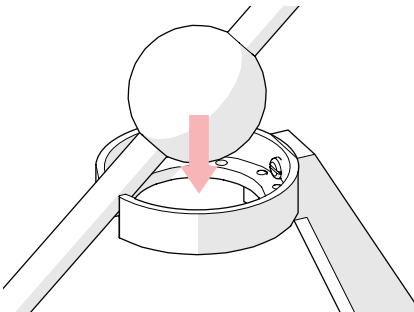
- 1** - On the lamp base unscrew the 4 countersunk screws.



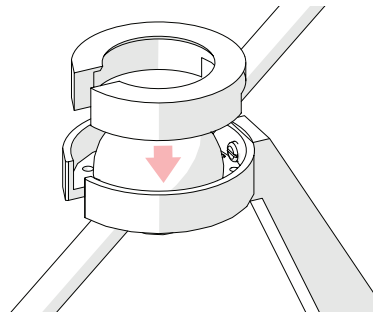
- 2** - Lift up top cup.



- 3** - Insert the arm through the slot in the back of the base.

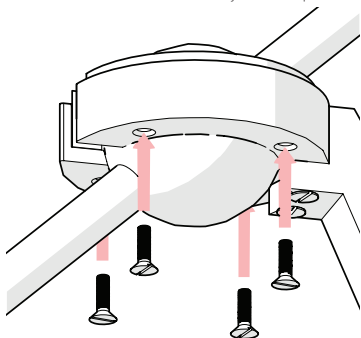


- 4** - Sliding the arm through the slot in the top cap, replace top cap.

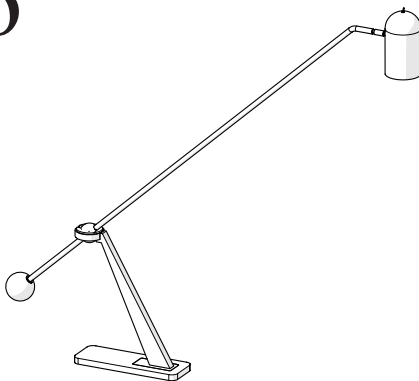


INSTALLATION CONTINUED

- 5** - Tighten up the 4 countersunk screws to required tension to hold arm with adjustment possible.



6



This product is only suitable for connection to the native power supply to which the unit was specifically manufactured. It is for indoor use only, and not suitable for a bathroom location.

If the Class II, double insulated symbol is on the lamp, it does not require an Earth, and Live or Neutral must not be connected to Earth. If there is no such symbol, then the lamp must be Earthed.

Never fit bulbs of a higher wattage than those specified on the label, as these may cause overheating and damage the fitting.

Under no circumstances must this table lamp be covered with any material as this could pose a safety hazard. It must be used on a stable, flat surface.

If the mains cable becomes damaged it must only be replaced by a technically competent, qualified person.

Allow 10 minutes to cool before replacing, adjusting or cleaning. Clean with a dry cloth only. Do not use liquid or abrasive cleaners on this product.

If you are in any doubt about your competence please consult a qualified electrician. If any modification is made it will invalidate the warranty and may render the product unsafe.
