

# BERT FRANK

## RIFT PENDANT LAMP

### MAINTENANCE

- Lacquered brass should be wiped with a soft duster.
- Opal glass should be gently cleaned with a suitable glass cleaner and a clean, lint free cloth.
- Do not clean with any other liquid, chemical or abrasive cleaners.
- All electrical work must be conducted by a qualified electrician.

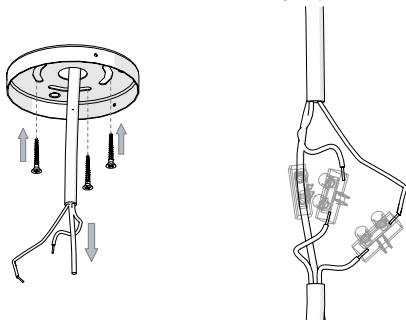
### TECHNICAL

- 1 x 4W G9 LED supplied

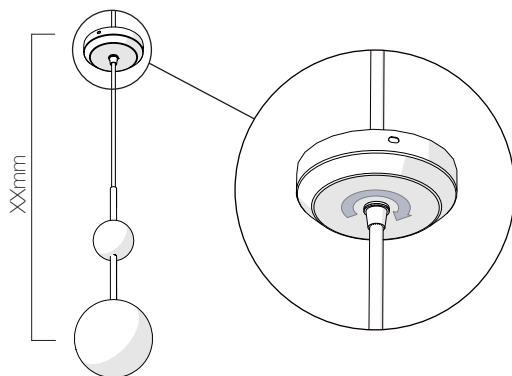
www.berfrank.co.uk  
+44 (0)207 164 6482

### INSTRUCTION

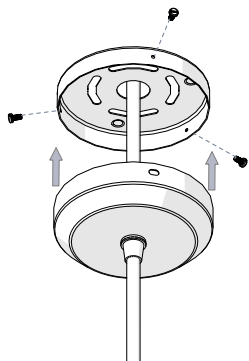
- 1
- Consider position of pendant, feed mains power through ceiling hole and ceiling rose mounting plate.
  - Fix mounting plate to ceiling using suitable fixings.
  - Make electrical connection between mains power and fixture.
  - Electrical work must be conducted by a qualified electrician.



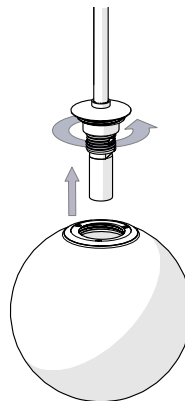
- 2
- Adjust fixture to desired height from ceiling rose cover.
  - Tighten cord grip.



- 3
- Secure ceiling rose cover to mounting plate using 3x screws on side of cover.

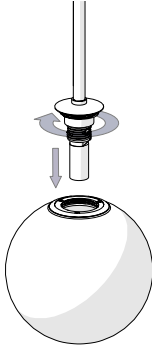


- 4
- To fit glass shade, slide up over globe and screw onto brass coupling.



## GLOBE REPLACEMENT INSTRUCTION

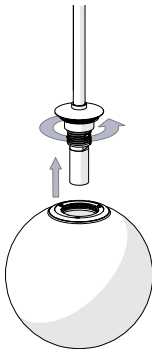
- 1 - Holding suspension rod, remove glass shade by unscrewing off brass coupling and sliding down past globe.



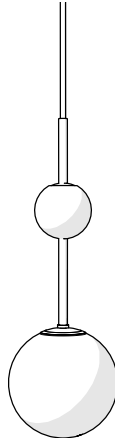
- 2 - Remove bulb and replace with new 4W G9 LED bulb.  
- Ensure bulb is dimming capable if required.



- 3 - Replace glass shade by sliding up over globe and screwing onto brass coupling.



4



This product is only suitable for connection to the native power supply to which the unit was specifically manufactured. It is for indoor use only, and not suitable for a bathroom location.

If the Class II, double insulated symbol is on the lamp, it does not require an Earth, and Live or Neutral must not be connected to Earth. If there is no such symbol, then the lamp must be Earthed.

Under no circumstances must this lamp be covered with any material as this could pose a safety hazard. It must be used on a stable, flat surface.

Never fit bulbs of a higher wattage than those specified on the label, as these may cause overheating and damage the fitting. If the mains cable becomes damaged it must only be replaced by a technically competent, qualified person.

Allow 10 minutes to cool before replacing, adjusting or cleaning. Clean with specified cleaners only. Do not use other liquid, chemical or abrasive cleaners on this product.

If you are in any doubt about your competence please consult a qualified electrician. If any modification is made it will invalidate the warranty and may render the product unsafe.