

BERT FRANK

RIDDLE DOUBLE TABLE LAMP

MAINTENANCE

- Lacquered brass shade should be wiped with a soft duster.
- Coloured parts can be wiped with a damp cloth (unplug from mains first).

TECHNICAL

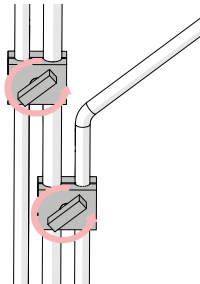
- 2 x G9 LED bulbs

www.bertfrank.co.uk

+44 (0)207 164 6482

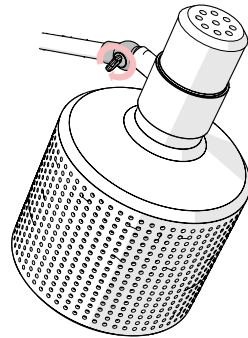
INSTALLATION

- 1**
- The arms of the lamp do not move vertically. They do rotate.
 - To adjust rotation angle firstly loosen the tightening blocks, then move arms into desired location and tighten to secure.
 - Ensure that the arm of the lamp is supported as this is carried out.



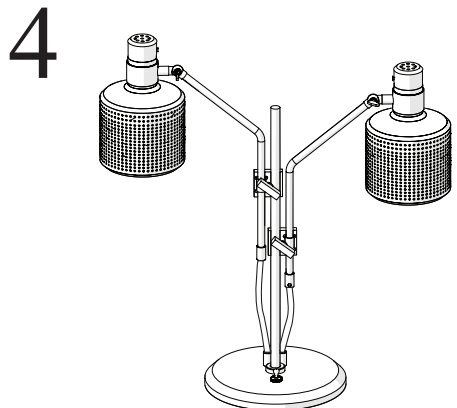
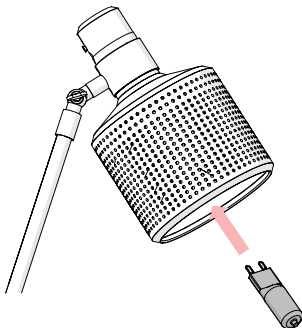
!! Be sure not to over loosen. !!

- 2**
- Turn the thumb screw on the side of the knuckle joint to adjust the angle of the shade up or down as desired.
 - This shade does not twist.



BULB REPLACEMENT

- 3**
- Replace G9 bulbs by pushing them into lamp holder.



This product is only suitable for connection to the native power supply to which the unit was specifically manufactured. It is for indoor use only, and not suitable for a bathroom location.

If the Class II, double insulated symbol is on the lamp, it does not require an Earth, and Live or Neutral must not be connected to Earth. If there is no such symbol, then the lamp must be Earthed.

Under no circumstances must this floor lamp be covered with any material as this could pose a safety hazard. It must be used on a stable, flat surface.

Never fit bulbs of a higher wattage than those specified on the label, as these may cause overheating and damage the fitting.

If the mains cable becomes damaged it must only be replaced by a technically competent, qualified person.

Allow 10 minutes to cool before replacing, adjusting or cleaning. Clean with a dry cloth only. Do not use liquid or abrasive cleaners on this product.

If you are in any doubt about your competence please consult a qualified electrician. If any modification is made it will invalidate the warranty and may render the product unsafe.
