

BERT FRANK

MASINA PENDANT LIGHT

MAINTENANCE

- Lacquered brass and glass should be wiped with a soft duster.

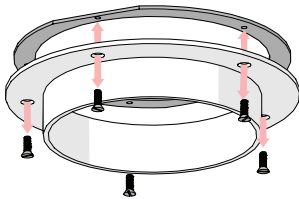
TECHNICAL

- 1 x E27 LED bulb (UK/EU)
- or
- 1 x E26 LED bulb (USA)

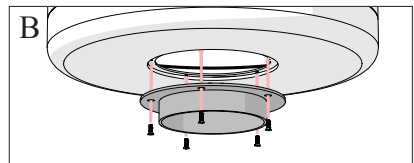
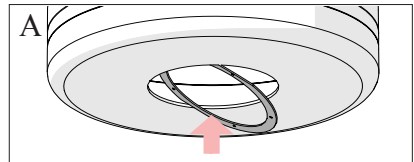
www.bertfrank.co.uk
+44 (0)207 164 6482

INSTALLATION

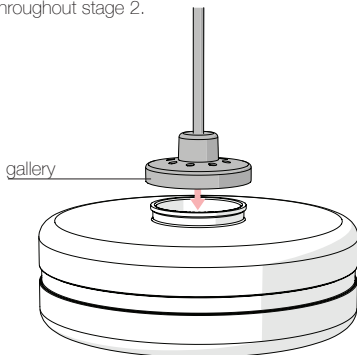
- 1** - Firstly, separate the shade collar and fixing ring by removing the screws.



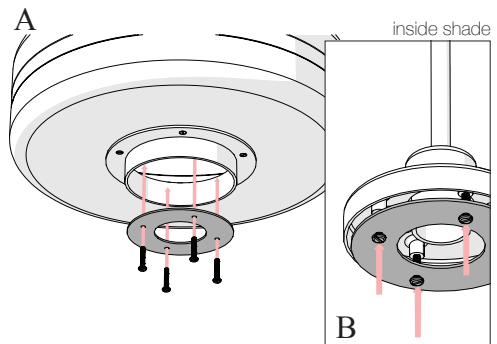
- 2** - Insert the fixing ring into the main shade.
- Secure the shade collar to the fixing ring using the screws.



- 1** - Taking the drop rod, guide the gallery section onto the neck of the shade.
- This will need to be held together and supported throughout stage 2.



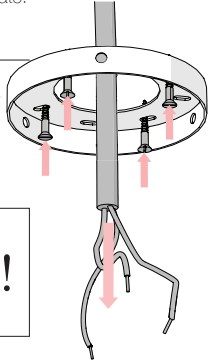
- 2** - Guide the white washer up through the shade.
- Screw the thumb screws through the white washer and into the gallery to sandwich and secure the shade in place.



INSTALLATION CONTINUED

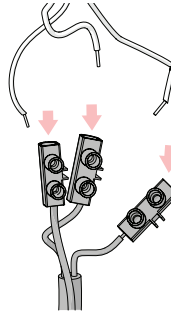
- 5** - Feed electrical cable from ceiling through the wiring exit hole in mounting plate.
- Screw plate to ceiling.

mounting plate



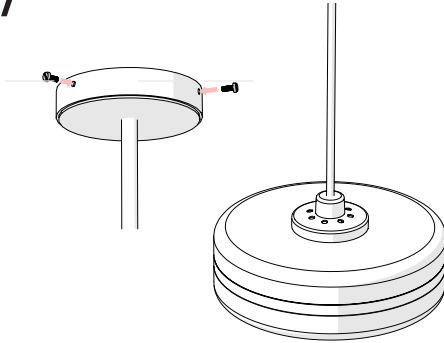
!!!
Use appropriate screws and plugs for the material you are fixing it to.
!!!

- 6** - Make electrical connection.
- Connector block not supplied but ensure a suitable type is used.



!!! Ensure this is done by a qualified electrician. !!!

- 7** - Screw the ceiling cover to mounting plate with 3 x thumb screws on side of cover.



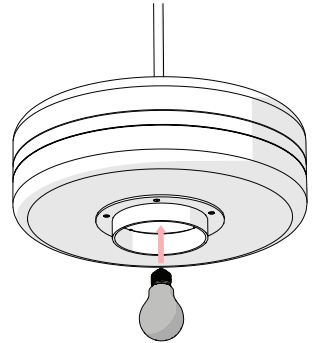
BULB REPLACEMENT

- 1** - Turn off the light at the mains.
- Replace bulbs by screwing them into lamp holder.

!!!

Ensure you leave enough time for the old bulbs to cool down before removing them.

!!!



This product is only suitable for connection to the native power supply to which the unit was specifically manufactured. It is for indoor use only, and not suitable for a bathroom location.

If the Class II, double insulated symbol is on the lamp, it does not require an Earth, and Live or Neutral must not be connected to Earth. If there is no such symbol, then the lamp must be Earthed.

Never fit bulbs of a higher wattage than those specified on the label, as these may cause overheating and damage the fitting.

If the mains cable becomes damaged it must only be replaced by a technically competent, qualified person.

Allow 10 minutes to cool before replacing, adjusting or cleaning. Clean with a dry cloth only. Do not use liquid or abrasive cleaners.

If you are in any doubt about your competence please consult a qualified electrician.

If any modification is made it will invalidate the warranty and may render the product unsafe.