

# BERT FRANK

## LIZAK DROP PENDANT LIGHT

### MAINTENANCE

- Lacquered brass and glass should be wiped with a soft duster.

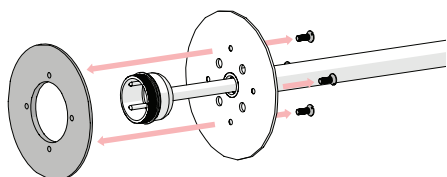
### TECHNICAL

- 1 x G9 LED bulb
- 1 x E27 LED bulb (UK/EU) LED filament
- or 1 x E26 LED bulb (USA) LED filament
- (squirrel caged shape recommended)

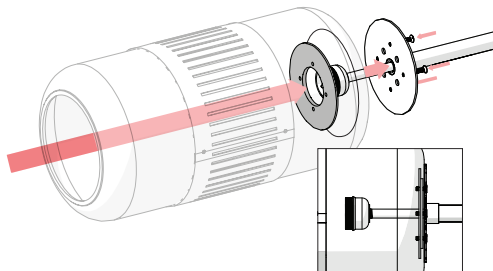
www.bertfrank.co.uk  
+44 (0)207 164 6482

### INSTALLATION

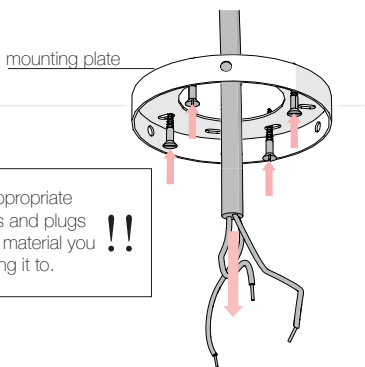
- 1**
- With the pendant safely on a flat surface start the process of attaching the glass shade.
  - For the main glass shade, firstly separate the shade fixing plates by unscrewing the 4 screws and removing the first ring.



- 2**
- Now gently bring the end of the main glass shade to meet the shade fixing plate.
  - Then through the other end bring the fixing ring to meet the other inside of the main glass shade.
  - Screw the 4 screws back in, sandwiching the main glass shade securely in place between the plates.

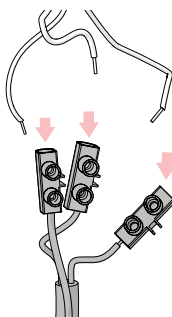


- 3**
- Feed electrical cable from ceiling through the wiring exit hole in mounting plate.
  - Screw plate to ceiling.



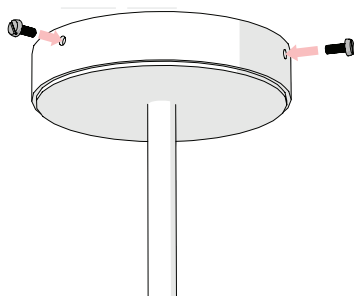
!!!  
Use appropriate  
screws and plugs  
for the material you  
are fixing it to.  
!!!

- 4**
- Make electrical connection.
  - Connector block not supplied but ensure a suitable type is used.

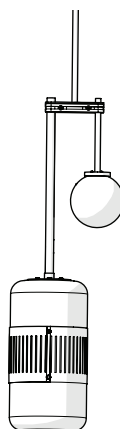


!!! Ensure this is done by  
a qualified electrician. !!!

- 7**
- Screw the ceiling cover to mounting plate with 3 x thumb screws on side of cover.

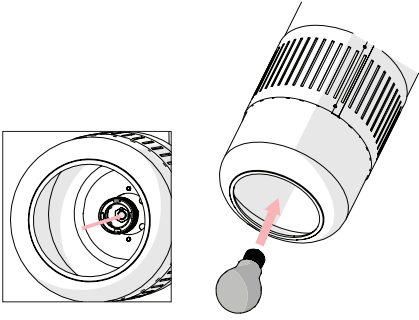


**8**

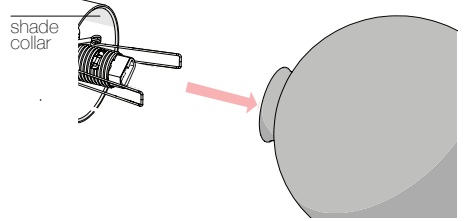


## BULB REPLACEMENT

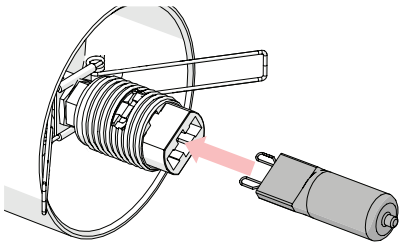
- 1**
- Turn off the light at the mains.
  - For the main glass shade, insert E27/E26 bulb by screwing it into the lamp holder.



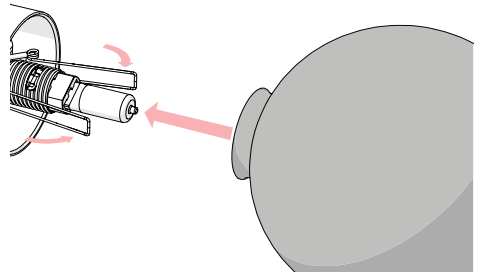
- 2**
- For the globe glass shade, holding the glass globe in one hand pull it away from the stem of the lamp until it is released from the spring clips.
  - Keep fingers away from the shade collar.



- 3**
- Insert G9 bulb by pushing them into lamp holder.



- 4**
- Pinch the two ends of the spring clips together.
  - Slide them back into the neck of the glass globe.
  - The globe should fit back into the collar. Be careful not to catch your fingers.



This product is only suitable for connection to the native power supply to which the unit was specifically manufactured. It is for indoor use only, and not suitable for a bathroom location.

If the Class II, double insulated symbol is on the lamp, it does not require an Earth, and Live or Neutral must not be connected to Earth. If there is no such symbol, then the lamp must be Earthed.

Never fit bulbs of a higher wattage than those specified on the label, as these may cause overheating and damage the fitting.

If the mains cable becomes damaged it must only be replaced by a technically competent, qualified person.

Allow 10 minutes to cool before replacing, adjusting or cleaning. Clean with a dry cloth only. Do not use liquid or abrasive cleaners.

If you are in any doubt about your competence please consult a qualified electrician.

If any modification is made it will invalidate the warranty and may render the product unsafe.