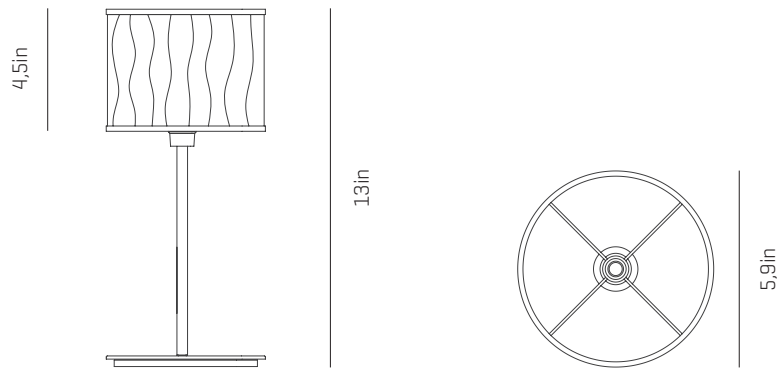


a

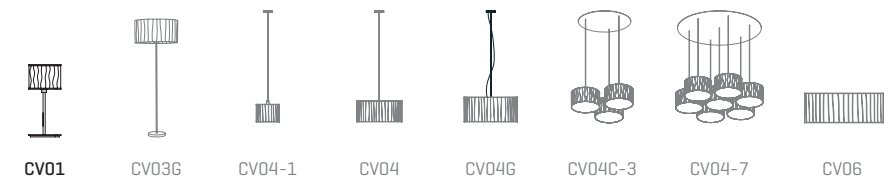
by arturo alvarez

curvas collection



USA & Canada

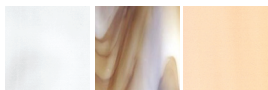
ref. CV01



MATERIALS & COMPONENTS

LAMPSHADE

Glass | One color to choose



02 95 87



89 90

SUPPORT AND CABLE

Painted steel and stainless steel

Transparent or black cable
Standard: 47,2in

RECOMMENDED BULBS

120V - 60Hz

 E12 LED- Max. 1x7 W

OTHER DATA

NET WEIGHT

4,2lb

PACKAGING

17,7x 9,4x 9,8in

5,7lb

ELECTRICAL FEATURES



CERTIFICATIONS

