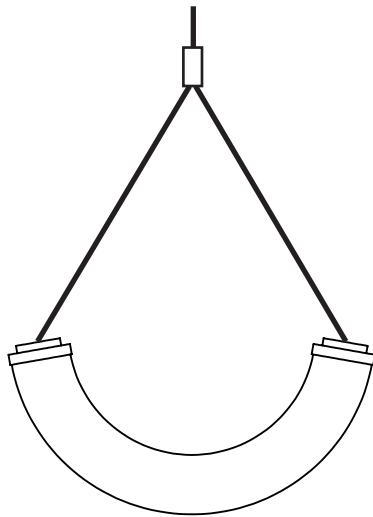
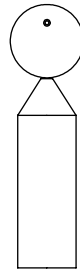


## CONTENTS

Shape Up Arc Pendant with  
Cord Coupler



Pulley and Counterweight



Pulley



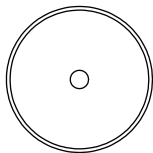
8-32 Crossbar Screws (2)



1/4-20 Ceiling Anchor



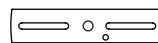
Canopy with  
Bushing



Strain Relief



Crossbar 1/8 IPS



1/4-20 Anchor Screw



## SAFETY INFORMATION

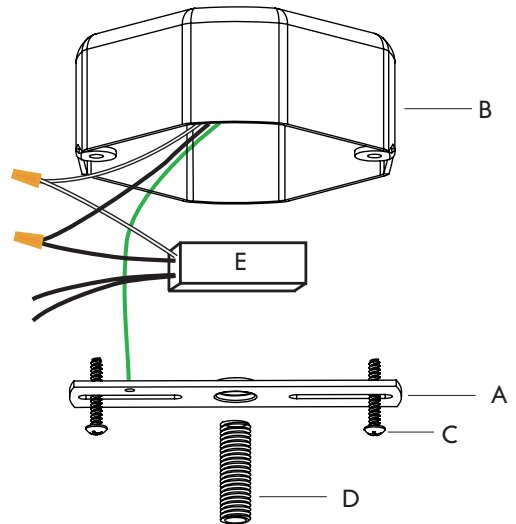
Only one light bulb per socket.  
 Only suitable for direct mounting on non-combustible surfaces.  
 Under no circumstances can Shape Up fixtures be mounted on normally flammable surfaces.  
 Suitable for dry, indoor use only.  
 Maximum ambient temperatures: 25° C

## CEILING INSTALLATION | SHAPE UP PENDANT

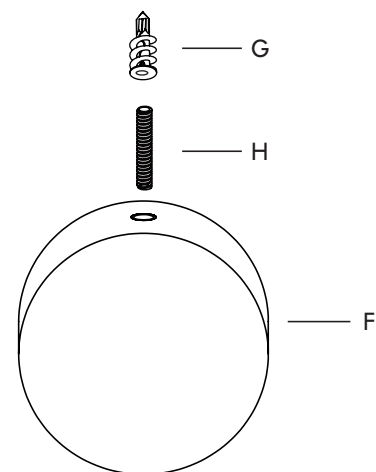
*Note: Please contact a licensed electrician.*

1. Prepare junction box for installation. Secure crossbar (A) to junction box (B) using provided 8-32 screws (C). Screw provided 1/4 IPS nipple (D) into center of crossbar.

2. Connect wires from the provided voltage transformer (E) to the lead wires in the ceiling. Store in junction box until step 5.



3. Mount Pulley (F) to ceiling using provided ceiling anchor (G) and 1/4-20 bolt (H). Place desired distance (24 inches is recommended) from junction box in desired direction.

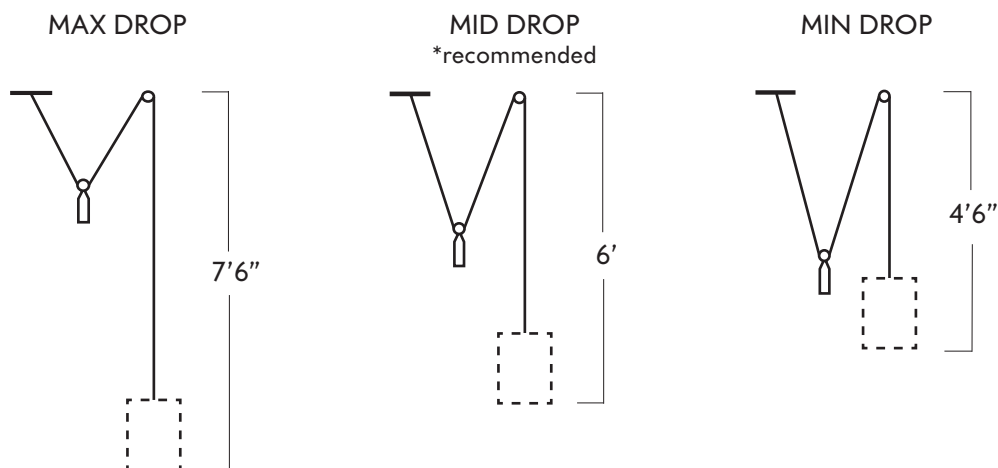


## CEILING INSTALLATION | SHAPE UP PENDANT

4. Measure the desired drop length of your fixture from the ceiling. Use the chart below to determine the length of fabric cord necessary. Counterweights can be adjusted to a high and low position (see example below) so it is best to measure based on the “mid drop” length. Confirm your cord length by holding fixture in its hanging position before cutting cord.

MID DROP LENGTH *recommended	DROP LENGTH RANGE	CORD LENGTH
7'	5'6" - 9'	12'
6'6"	5' - 8'	11'
6'	4'6" - 7'6"	10'
5'6"	4'3" - 6'9"	9'
5'	4' - 6'	8'
4'6"	3'9" - 5'3"	7'
4'	3'6" - 4'6"	6'

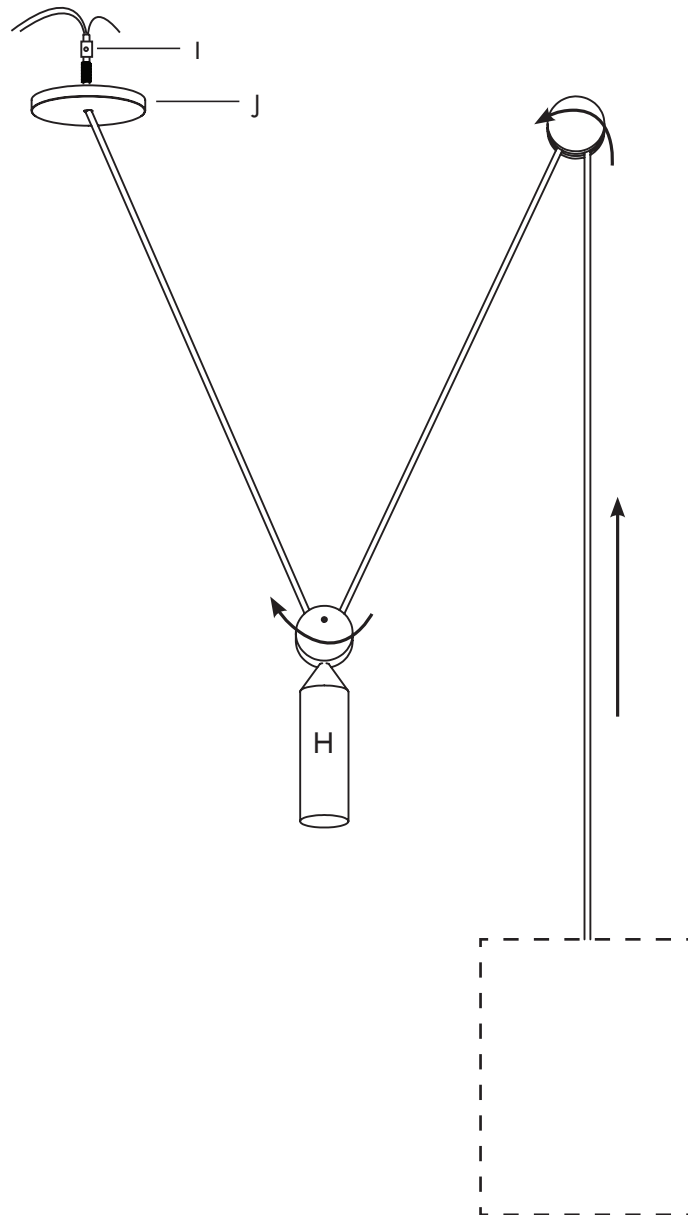
## EXAMPLE | DROP LENGTHS USING 10' CORD



## CEILING INSTALLATION | SHAPE UP PENDANT

---

5. Feed cord from fixture through ceiling mounted pulley, then through the pulley and counterweight assembly (H), and lastly through the canopy.
6. While supporting the weight of fixture and counterweight, raise end of cord to junction box and through 1/4 IPS nipple. Tighten strain relief (I) around the cord above the nipple, leaving about 5 inches of wire to work with. Make lead wire connections with wire nuts and fit all excess wire into junction box.
7. Raise canopy (J) to ceiling and tighten around 1/4 IPS nipple until flush with ceiling.
8. Adjust counterweight and fixture to desired lengths.



## CHANGING THE BULBS

---

*Note: Make sure to power off fixture and allow bulbs and lamp to cool.*

### CONE AND HEMISPHERE:

Carefully unscrew white bulb in counterclockwise direction and remove from fixture. Pull out existing LED and replace with a new one by pushing two pins into socket. Screw white bulb back onto socket.

### CYLINDER:

While holding the glass cylinder shade, carefully unscrew white bulb in counterclockwise direction. This will remove both shade and white bulb. Pull out existing LED and replace with a new one by pushing two pins into socket. Hold shade in position and screw white bulb back onto socket.

### ARC:

Support weight of glass arc shade and unscrew the small black cap from each end in counterclockwise direction. This will remove the glass shade from the assembly. Pull out existing LED and replace with a new one by pushing two pins into socket. Put glass arc shade back into place by screwing caps back onto end caps.

### GLOBE:

Support weight of glass globe while unscrewing black cap from top of assembly. Slide black cap and brass tube up the cord and loosen the nut holding the globe cap to globe. Once loose, slide globe off of internal fitter and cap and set aside. unscrew white bulb in counterclockwise direction and remove from fixture. Pull out existing LED and replace with a new one by pushing two pins into socket. Screw white bulb back onto socket and re-fit the assembly.