

RIFLESSO

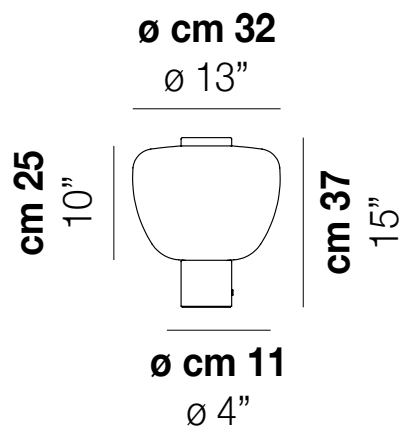
Design Chiaramonte & Marin

RIFLESSO LT 3



Soap bubbles, childhood memories. The LED light passes through a glass bubble to refract on a mirror in a game of continuous rebounds. Glass is not only a diffuser, but also an almost invisible intermediary between the light source and the reflecting element. The simplicity and lightness of glass become the main features in three different sinuous shapes of suspensions and table version enriched by crystal, smoke, amber and light amethyst tones. Gold and copper finishes.

RIFLESSO LT 3



TECHNICAL DATA:



LED 2700K DIM4 1x10,5 W 35 V

LED 3000K DIM4 1x10,5 W 35 V

CERTIFICATIONS:

Led 2700 K 10,5 W 35 V 1400 lm DIM4 Push

Led 3000 K 10,5 W 35 V 1400 lm DIM4 Push

VOLUME Mc 0

GROSS WEIGHT Kg 8

NET WEIGHT Kg 5

download



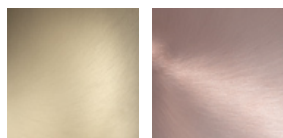
SHADE FINISHING



AATR

CRTR

FRAME FINISHING

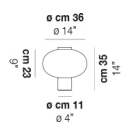


BKS

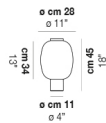
RAV

OTHER VERSION AVAILABLE

Click on the version to go to the web version of the product



RIFLE LT 1



RIFLE LT 2