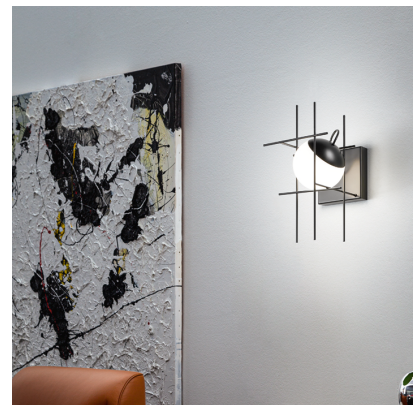


PLOT FRAME

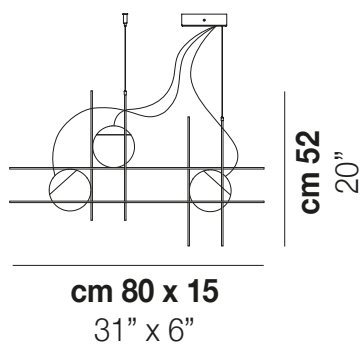
Design Chiaramonte & Marin

PLOT FRAME SP 3



The inspiration behind Plot frame is to render the motion and simplicity of a sphere. The almost hovering luminescent sphere lies on a metallic weft, permitting the user to interact with the fitting. Available in two different size of suspension, applique and floor lamp. Matt black metal finish. LED source.

PLOT FRAME SP 3



TECHNICAL DATA:



LED 2700K DIM2	3x8,5 W	24 V
LED 2700K DIM3	3x8,5 W	24 V
LED 3000K DIM2	3x8,5 W	24 V
LED 3000K DIM3	3x8,5 W	24 V

CERTIFICATIONS:

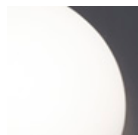
Led 2700 K 8,5 W 24 V 1200 lm DIM2 Phase Cut
 Led 2700 K 8,5 W 24 V 1200 lm DIM3 0-10V, Push
 Led 3000 K 8,5 W 24 V 1200 lm DIM2 Phase Cut
 Led 3000 K 8,5 W 24 V 1200 lm DIM3 0-10V, Push

VOLUME Mc 0,21
 GROSS WEIGHT Kg 10
 NET WEIGHT Kg 5,5

[download](#)



SHADE FINISHING



BCLU

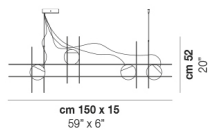
FRAME FINISHING



NEO

OTHER VERSION AVAILABLE

Click on the version to go to the web version of the product



PLOT SP4