

# PANGEN

Historical Archive, 2012

This lampshade is a fluid, minimal dome shape, its lacquer finish and modern colors ensuring surprising lighting. Available in suspension and ceiling mounted versions.



## RELATED PRODUCTS

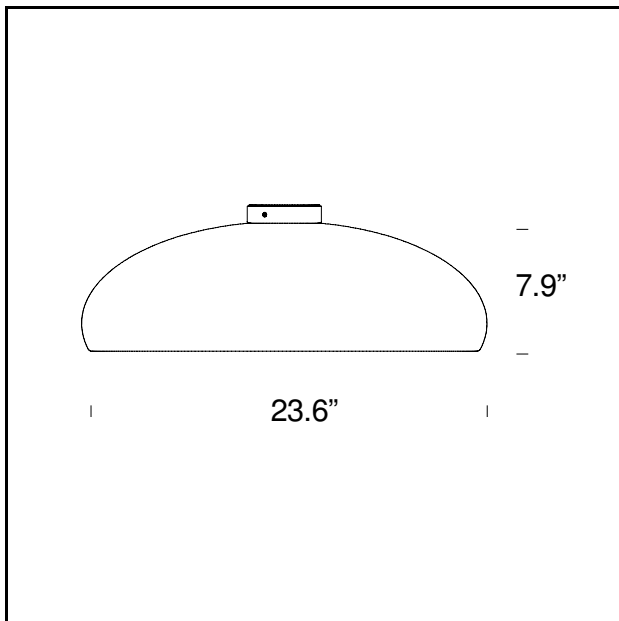


## PANGEN

*Suspension Lamp*

## TECHNICAL SHEET

Ceiling lamp. Body in white painted aluminum BI (RAL 9003 gloss), black N (RAL 9005 gloss), red R (RAL 3004 gloss), green V (RAL 6003 gloss) and orange AR (RAL 2010 gloss). The diffuser screen is in satin-finish polycarbonate. Chromed ceiling attachment.



**MODEL NAME:** Pangen

**CODE:** UL4197..

**DIMENSION:** 23.6" x 7.9"

**MATERIALS:** Metal

### COLORS

- Black - RAL Code: RAL 9005 Gloss
- Green - RAL Code: RAL 6003 Gloss
- Orange - RAL Code: RAL 2010 Gloss
- Red - RAL Code: RAL 3004 Gloss
- White Gloss - RAL Code: RAL 9003 Gloss

**LIGHTING SOURCE:** 3x42W (HA) E26

### CERTIFICATIONS AND SYMBOLS:



Subject to technical modifications and modifications to content