

NEMO^{USA}

PIVOTANTE À POSER

Charlotte Perriand

Table lamp with a cylindrical body, open on two sides. Two diffusers rotate to allow the opening and closure of the light beam in order to adjust the light in a direct or indirect way. Base in steel painted in matt grey, body in rolled metal sheet painted in white, yellow or blue. Switch on cable.



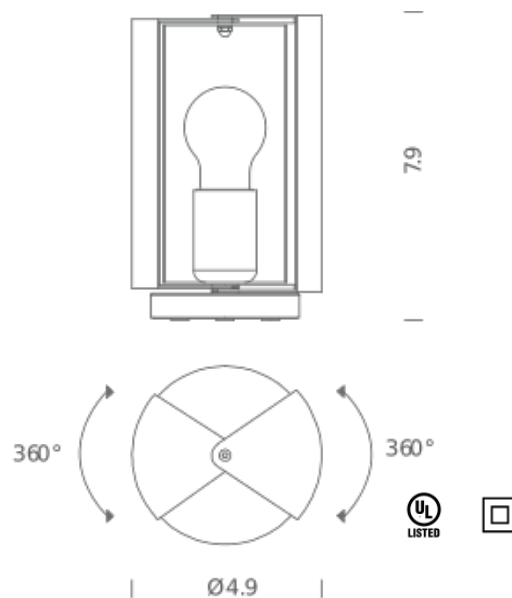
PIVOTANTE À POSER

Charlotte Perriand

E26 FLUO/LED/HALO

Lamping

Source	E26, A60
Total power	60W
Emission	ORIENTABLE
Switching	switch on cable
Tension	120V
Ip class	20
Dimensions	4.9 X 4.9 X 7.9
Materials	METAL
Notes	switch on cable, cable length 8.9', orientable 360°



Codes

PAP EDW 11

Structure

white

Diffuser

PAP EDB 11

blue

PAP EDG 11

yellow

Net lamp weight

2.6 lbs

Package 1

Dimensions 6.3 X 6.3 X 8.7

Gross weight 3.7 lbs