


General Product information 

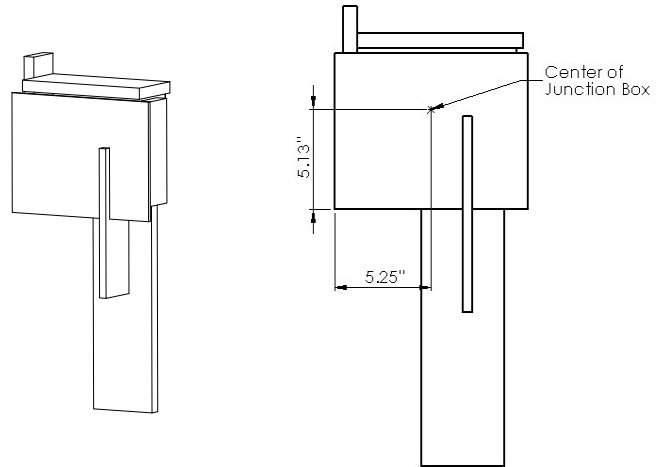
This product is suitable for indoor dry locations only.

This product can mount to either a 4" square junction box with a 3" round plaster ring or an octagon junction box.



**CAUTION - RISK OF FIRE** 

This product requires installation by a qualified electrician. Before installing be sure to read all instructions and **TURN POWER OFF TO THE JUNCTION BOX**

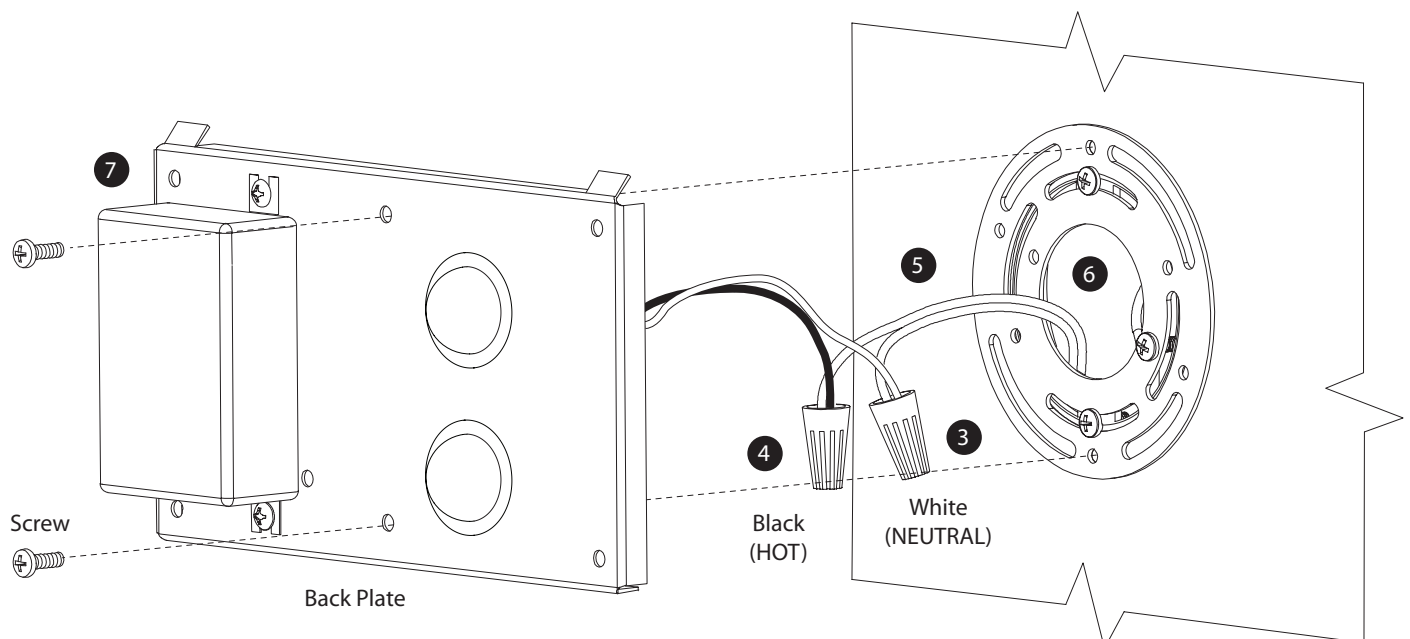
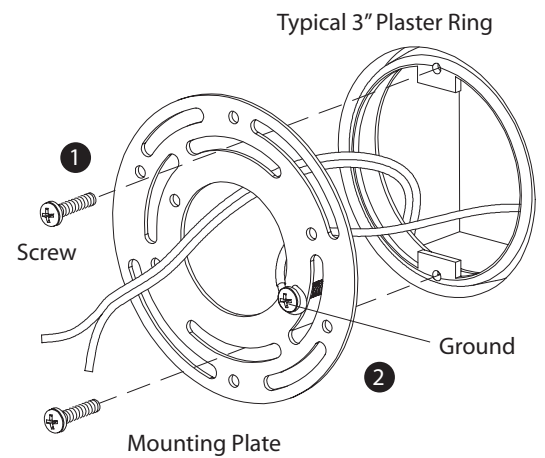


Installing the Mounting Plate

- 1 Attach the mounting plate to the junction box using the supplied #8-32 screws. Orient and level the plate as shown in the figure.
- 2 Attach a suitable ground wire to the green screw in the mounting plate.

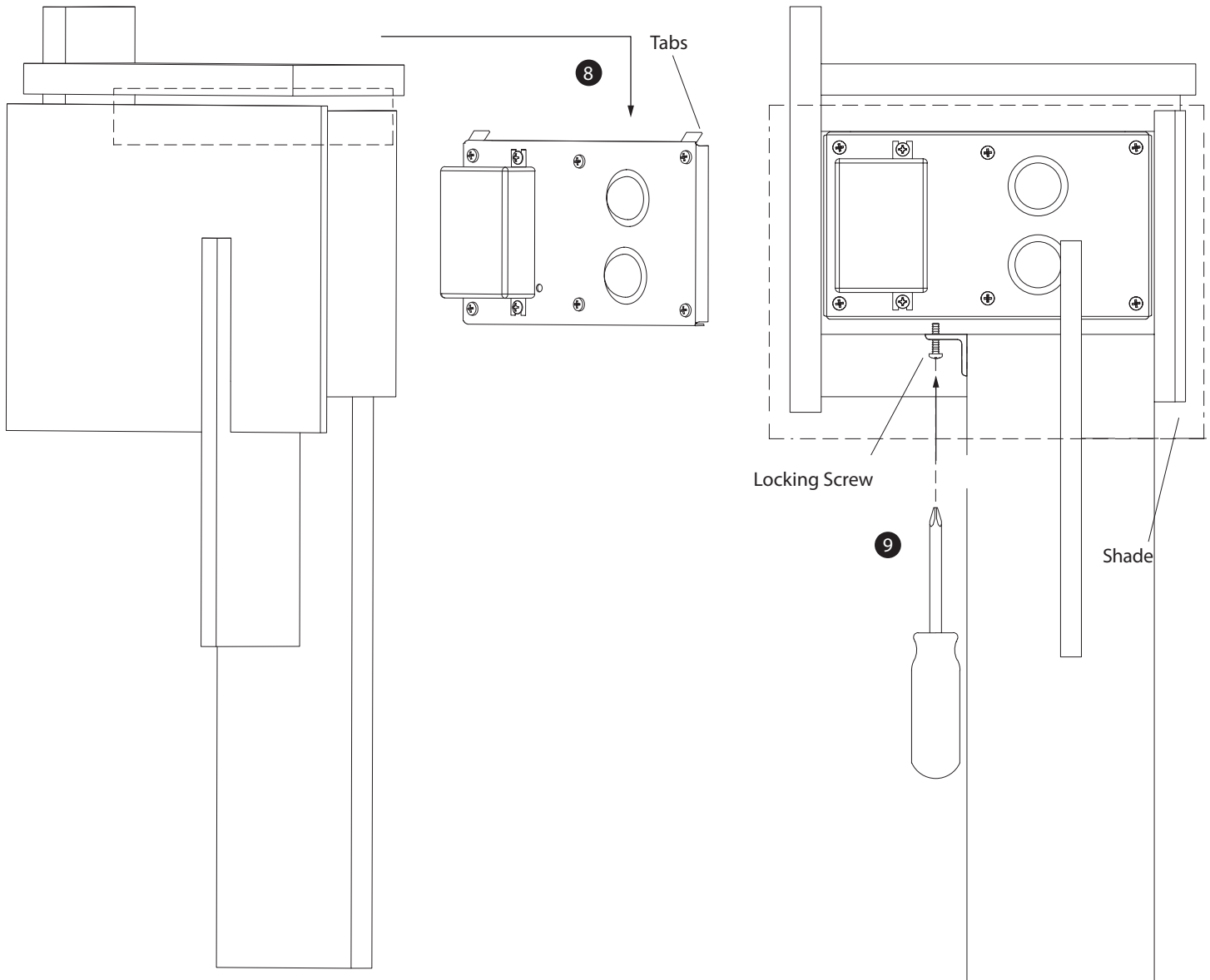
Attaching the Back Plate

- 3 Connect the white fixture wire to the neutral power line with a wire nut.
- 4 Connect the black fixture wire to the hot power line with a wire nut.
- 5 Place all wires in the junction box.
- 6 Mount the back plate to the mounting plate using the supplied #8-32 screws.
- 7 If necessary, use the additional holes in the back plate to secure it to the wall.



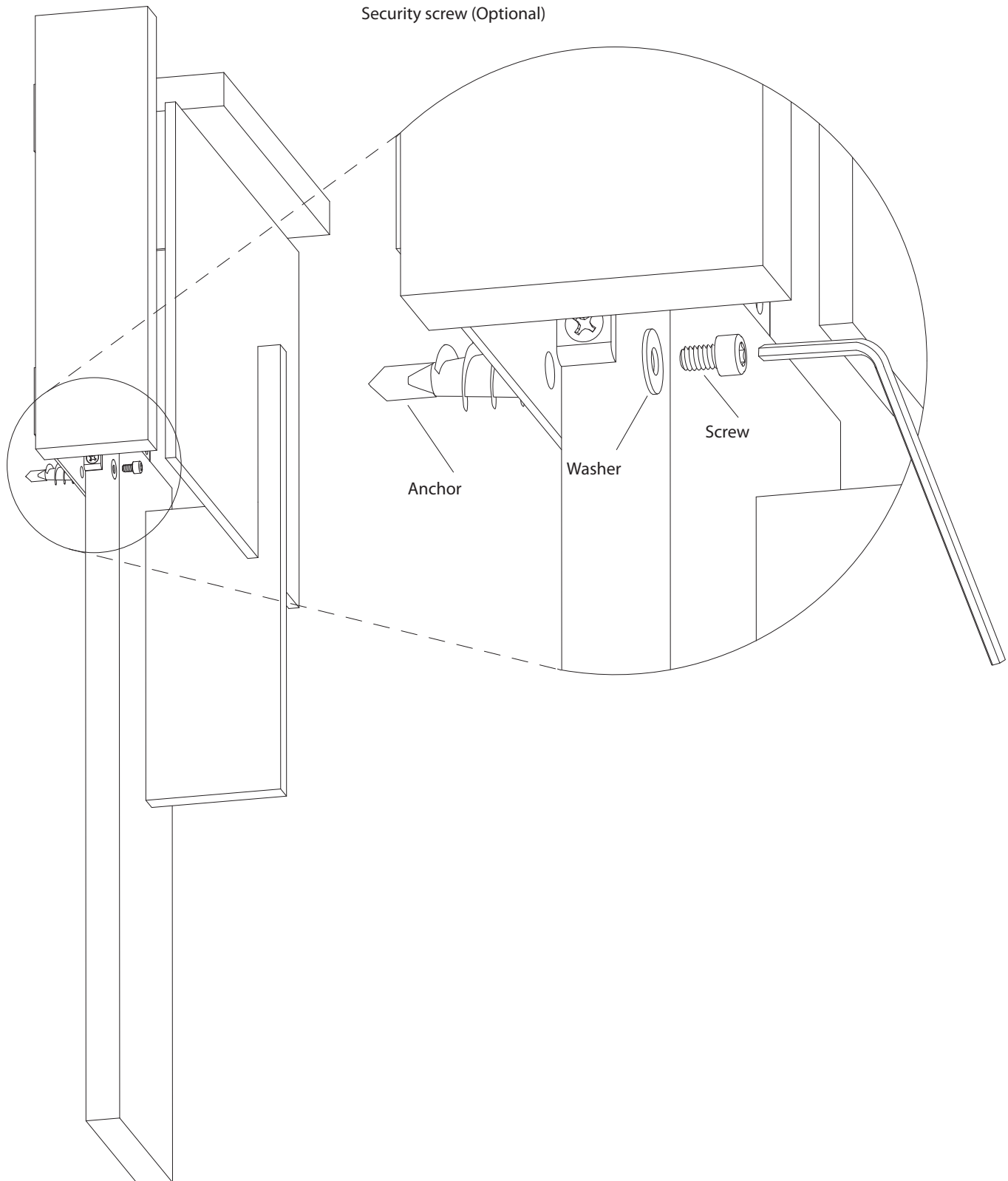
## Attaching the Shade

- 8 Slide the shade over the back plate so that it hangs on the tabs.
- 9 Tighten the locking screw behind the diffuser until it presses against the bottom edge of the back plate.



- 10 (Optional) To prevent the shade from being removed, use the included drywall anchor and socket head screw to fasten the bottom shade crossmember to the wall.

Allen is "behind" the shade.



Back Plate Template

