

Designed by Louis Weisdorf

PRODUCT



COLORS



DESCRIPTION

The Multi-Lite was first drawn in 1972 when Louis Weisdorf did an exception to his own design custom of using multiple repeating elements. Instead it reflects his passion for diversity. The Multi-Lite pendant has two individual rotating shades and can be transformed into multiple combinations where the light can be directed upwards, downwards or exude an asymmetrical art light. The lamp is available in seven colors and all the shades are white lacquered inside.

VERSION - MULTI-LITE S PENDANT

Colour codes are indicative:

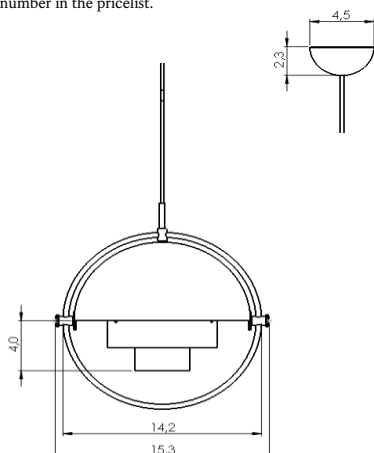
All Brass - brass colored cable
 Brass/Charcoal Black - RAL 9011 - Gloss level 5 - black cable
 Brass/White - RAL 9003 - Gloss level 15 - white cable
 Brass/Blue - RAL 250 50 25 - Gloss level 15 - brass colored cable
 All Chrome - black cable
 Chrome/Black - RAL 9005 - Gloss level 15 - black cable
 Chrome/White - RAL 9003 - Gloss level 15 - white cable

Canopy:

- Brass on brass versions
- Chrome on chrome versions

MEASUREMENTS

Order item - look for part number in the pricelist.



FACTS

MEASUREMENT - *L x W x H inches*

Lamp height: 14,2 inches
 Lamp diameter: dia. 14,2 inches
 canopy size: dia. 4,5 x 2,3 inches
 Wire length, exposed: Approx.. 157,5 inches

WEIGHT ITEM - *LAMP INCL. WIRE*

4,9 lb

PACKAGING TYPE

Cardboard box

PACKAGING MEASUREMENT - *L x W x H*

L: 15 x W: 15 x H: 20 inches

WEIGHT PACKAGING - *MATERIAL TYPE (recycleable)*

- Polystyrene: 9,6 oz
- PE polybag: 0,9 oz
- Cardboard inside: 14 oz
- Cardboard outside: 40 oz

WEIGHT PACKAGING - *TOTAL*

3,9 lb

NUMBER OF PARCELS

1 pcs.

MULTI-LITE // PENDANT Ø360, US MODEL

THE MULTI-LITE COLLECTION

Designed by Louis Weisdorf

ACCESSORIES

-

ENVIRONMENT

-

TESTS

-

CERTIFICATION AND LABELS

SAFETY INSTRUCTIONS

If the cord or other electrical part is damaged, switch of the lamp and do not use it until it is repaired by a qualified electrician.

INSTALLATION INSTRUCTIONS

Instructions document no. 58-20-002-03

LIGHT SOURCE:

- Socket: E26 base
- Bulb types recommended:



- Recommended light sources: *Halogen light bulb*
- Recommended wattage: 46 W
- Max wattage: 57 W

All fluorescens light bulbs

- Recommended wattage: 15 W
- Max wattage: 18 W

LED retrofit light bulbs

- Recommended wattage: 9,5 W
- Max wattage: 11,5 W

- Max. light out put for above lamps:
1050 Lumens ≈ (75 WATT incandescent bulbs)

- US plug: Type A, 2 PIN, 15 amp, (NEMA 1-15)
- US voltage: 120 V
- Frequency: 60 Hz
- Supply voltage: AC power ~
- Normally Closed: IP20



Class II / Double insulated

Mark for Canada and the U.S.

