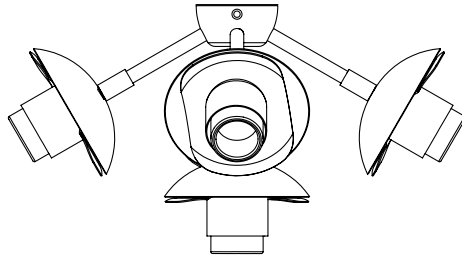
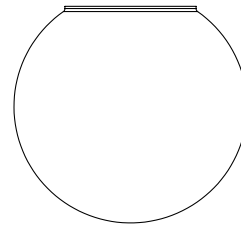


## CONTENTS

Modo Flush Mount - 5 Globes



Globes (5)



#8-32 Screws (2)



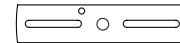
1/8 IPS Nipple



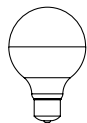
#8-32 Socket  
Screws (2)



Crossbar



Bulbs (5)

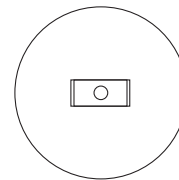


Incandescent 120V  
(bulbs included)  
 Incandescent 240V  
(bulbs **not** included)

9-64 Allen Key



Canopy and  
Mounting Bracket



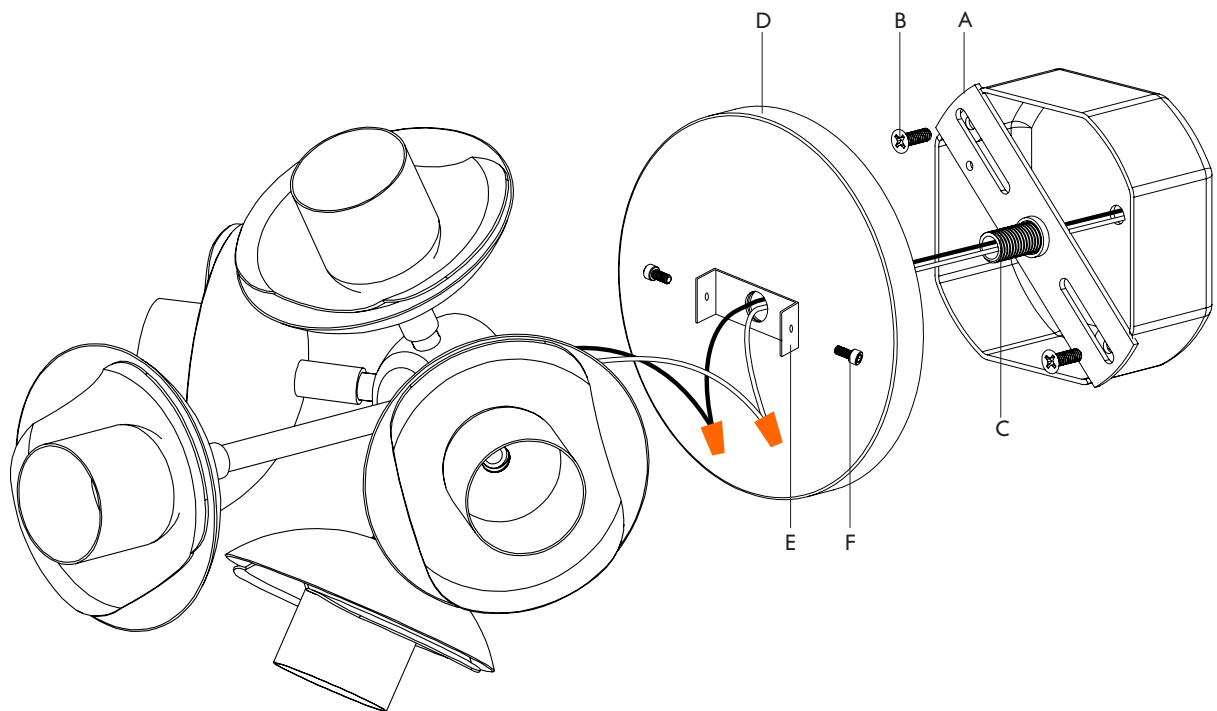
## SAFETY INFORMATION

Only one light bulb per socket.  
 Only suitable for direct mounting on non-combustible surfaces.  
 Under no circumstances can Modo Chandeliers be mounted on normally flammable surfaces.  
 Suitable for dry, indoor use only.  
 Maximum ambient temperatures: 25° C

## WALL INSTALLATION | MODO SCONCE - 5 GLOBE

*Note: Please contact a licensed electrician.*  
*Note: Do not use bulbs that exceed 25 watts.*

1. Attach the crossbar (A) from the back of the fixture onto the junction box using provided #8-32 screws (B). Screw the 1/8 IPS nipple (C) into the center hole of the crossbar and feed electrical wires out from the nipple.
2. Place backplate (D) over nipple and secure by threading the mounting bracket (E) onto the nipple. Tighten until canopy is flush against the wall and mounting bracket is positioned horizontally.
2. Hold fixture up to backplate and make electrical connections to sconce, trimming excess wire. Push the connected wires into the half hub.
3. Fit the hub over the mounting bracket and secure in place with provided #8-32 socket screws (F) and allen key.



## INSTALLATION | ATTACHING MODO GLOBES

---

*Note: Make sure to power off fixture before changing bulbs.*

1. Screw light bulbs into sockets. Sandwich the glass globe (A) around the socket fitter (B) and cap (C). Gently tighten the sleeve (D) to hold the globe in place.

