

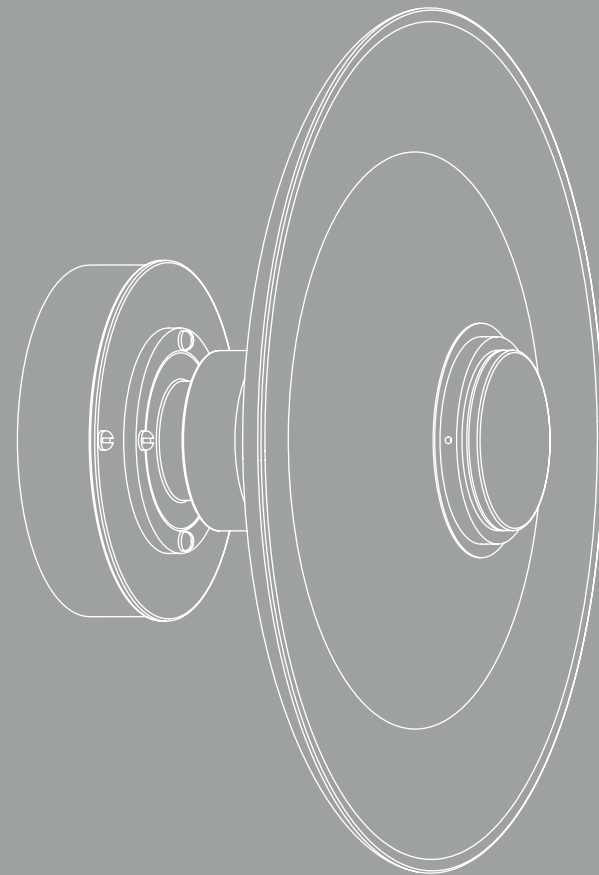
GABRIEL SCOTT  
EST. 2012



LUNA  
**A SERIES**

---

**DISC SCONCE**  
TEAR SHEET



LUNA  
**A SERIES**

**DISC SCONCE**

A lighting system with infinite interpretations, the LUNA is a synergy of color, shape, and refracted light. Inspired by a lunar halo, the modular light fixture grows in every direction as its assembly system stems horizontally or vertically, stacking color upon color of various blowglass shapes. The LUNA series is a glamorous reference to the moon's diffused light and soft glow. Allusive yet glamorous, the LUNA is a new tradition in glass-work and light form. Available in a variety of colors and shapes, LUNA is a highly customizable fixture.

All GABRIEL SCOTT pieces are handmade in Canada.



LUNA  
**A SERIES**

**DISC SCONCE**

**FIXTURE  
SPEC SHEET**

Product name: LUNA Disc Sconce

Standard lead time: 6-8 weeks

Dimensions: 12" x 12" x 5.6" (304mm x 304mm x 142mm)

Light source: 24V 6 Watt LED Bulb (included)

Standard drop: Flushmount

LED driver: ERP ESS010W-0350-24

Weight: 6lb (2.72kg)

**STANDARD FINISHES**

**BRASS**

HARDWARE: SATIN BRASS

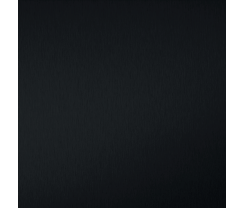


GLASS: SMOKED BRONZE



**BLACK**

HARDWARE: BLACK



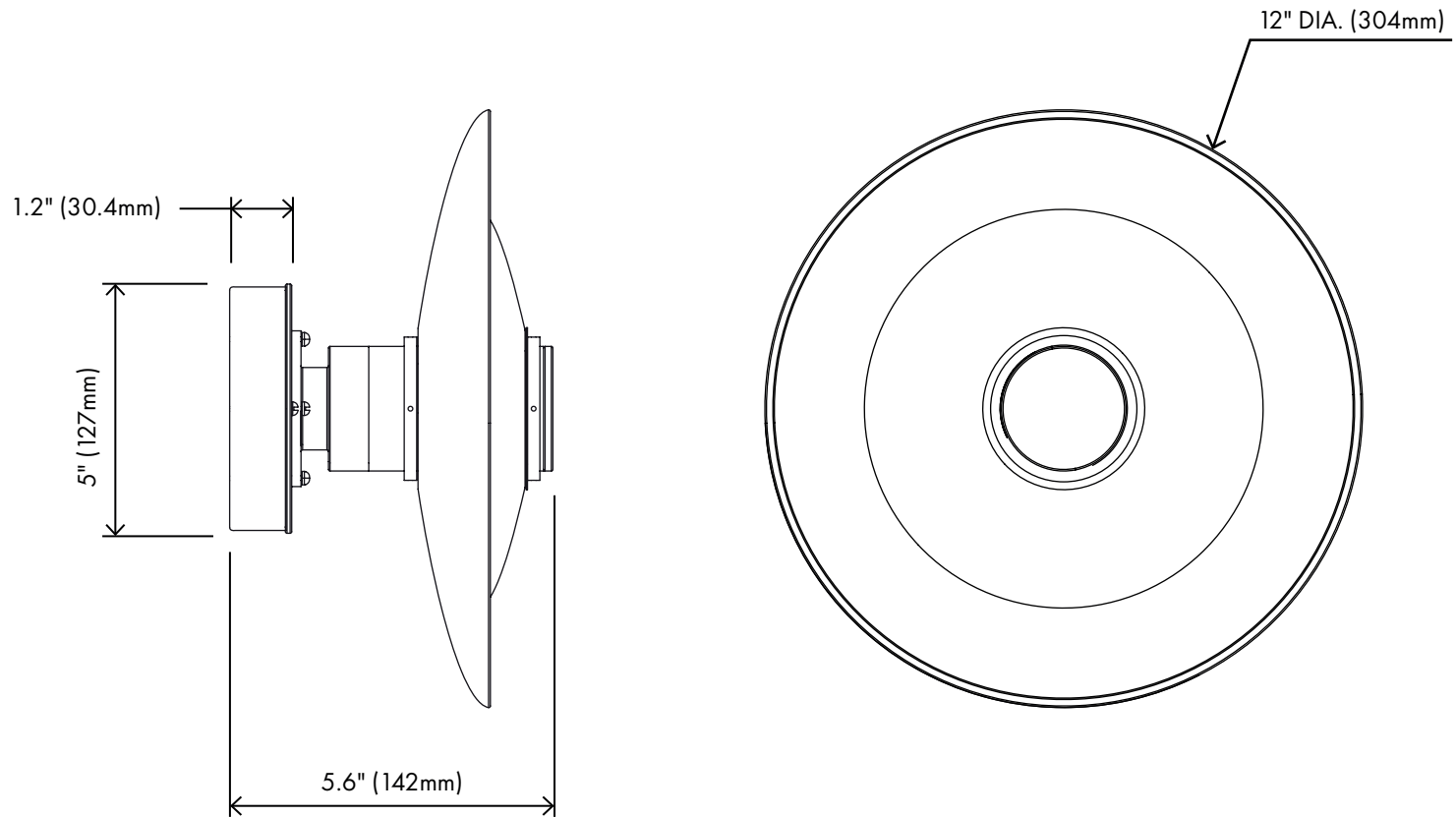
GLASS: SMOKED



LUNA  
**A SERIES**

**DISC SCONCE**

**FIXTURE  
DIMENSIONS**



LUNA  
**A SERIES**

**DISC SCONCE**

**LED DRIVER  
SPEC SHEET**

Driver model no.:	ERP ESS010W-0350-24
Input voltage:	120 to 277 VAC, 220 to 240 VAC
Output voltage:	14-24VDC
Max Output power	8.4W
Environ. protection rating	IP64
Dimensions:	3.3" x 1.57" x 1" (84 x 40 x 25 mm)
Dimming Method:	Forward-Phase, Reverse-Phase & 0 - 10V

