

**NEMO**<sup>USA</sup>

## LAMPE DE MARSEILLE MINI

Le Corbusier

Mini version of the Lampe de Marseille. Aluminum with spun aluminum diffuser available in matt grey or whitewash body and white interior. Switch on the cable. Functional and adjustable light output.



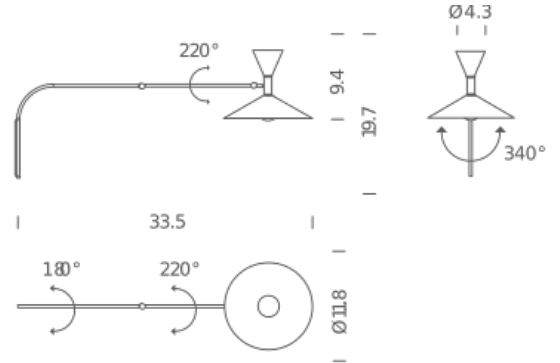
## LAMPE DE MARSEILLE MINI

Le Corbusier

### E12 FLUO/LED/HALO

#### Lamping

<b>Source</b>	E12 P45
<b>Total power</b>	2 X 46W
<b>Emission</b>	DOUBLE EMISSION, DIRECT + INDIRECT
<b>Switching</b>	switch on cable, mono switch
<b>Tension</b>	120V
<b>Ip class</b>	20
<b>Dimensions</b>	Ø 11.8 X 19.7 H
<b>Materials</b>	aluminum + steel
<b>Notes</b>	installation with plug cable length 1.3'+3.9', orientable, *grey matt RAL 7046, whitewash RAL 9002



#### Codes

LMM EWW 31  
whitewash  
LMM EDD 31  
grey / whitewash  
Net lamp weight

#### Structure

whitewash  
matt grey  
2.9 lbs

#### Diffuser

#### Package 1

**Dimensions** 16.5 x 31.5 x 4.7  
**Gross weight** 4.9 lbs