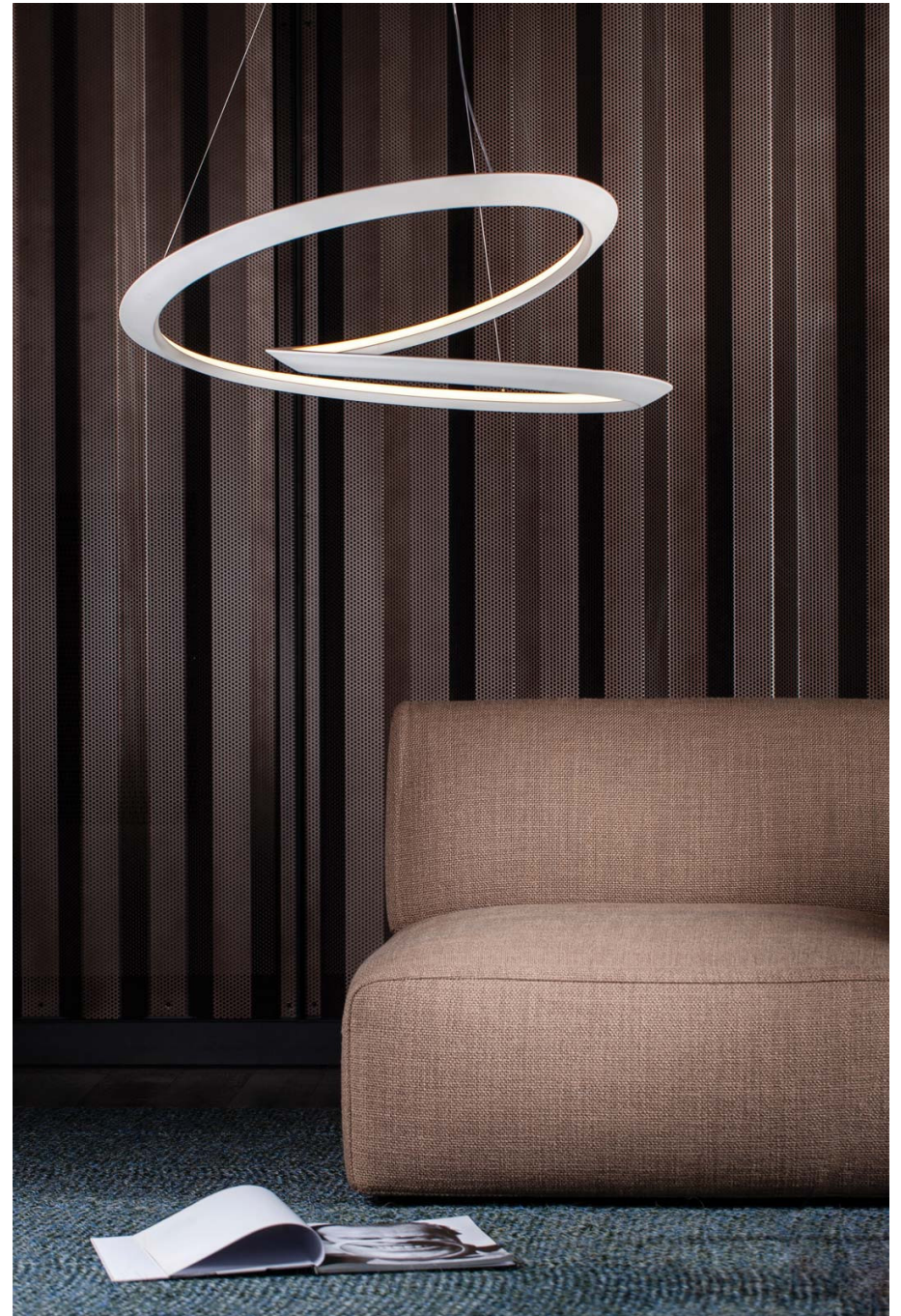


KEPLER MINOR

Arihiro Miyake

Small version of the Kepler lamp. Suspension lamp in extruded aluminum powder coated. Available in uplight and down light versions in white, black and the new gold finish. The continuous line is made through a three-dimensional process of extruded aluminum, designed based on the geometric principle of the Moebius strip.



DOWNLIGHT | 2700K

LAMPING

Source	Linear LED
Total power	77W
Emission	diffused downlight
Switching	dimnable 1-10V
Tension	110/240V
Color temperature	2700K
Luminous flux	4000lm (luminous output)
Typ cri	85
Energy class	A+
Notes	cable lenght 2,5m; adjustable cable length minimum 0,4m
Net lamp weight	6 Kg

Codes

KEM LWW 54
KEM LNN 54
KEM LOW 54

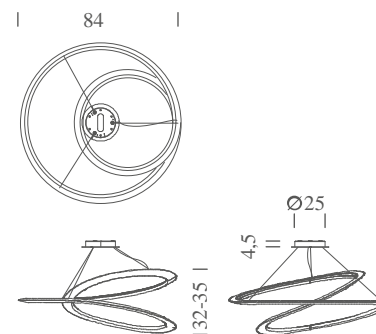
Structure

white
black
gold painted

PACKAGE

Package 01 90x90x45 cm / Gross weight: 11 Kg

Certificazioni



DOWNLIGHT | 3000K

LAMPING

Source	Linear LED
Total power	77W
Emission	diffused downlight
Switching	dimnable 1-10V
Tension	110/240V
Color temperature	3000K
Luminous flux	4000lm (luminous output)
Typ cri	85
Energy class	A+
Notes	cable lenght 2,5m; adjustable cable length minimum 0,4m
Net lamp weight	6 Kg

Codes

KEM LWW 52
KEM LNN 52
KEM LOW 52

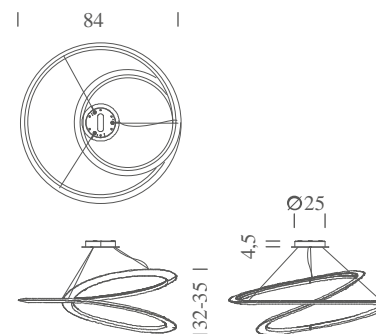
Structure

white
black
gold painted

PACKAGE

Package 01 90x90x45 cm / Gross weight: 11 Kg

Certificazioni



UPLIGHT | 2700K

LAMPING

Source	Linear LED
Total power	77W
Emission	diffused uplight
Switching	dimnable, 1-10V
Tension	110/240V
Color temperature	2700K
Luminous flux	4000lm (luminous output)
Energy class	A+
Notes	cable length 2,5m; adjustable cable length minimum 0,4m
Net lamp weight	6 Kg

Codes

KEM LWW 53
KEM LNN 53
KEM LOW 53

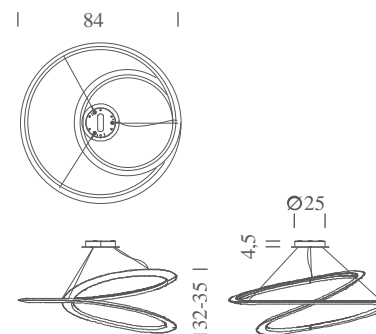
Structure

white
black
gold painted

PACKAGE

Package 01 90x90x45 cm / Gross weight: 11 Kg

Certificazioni



UPLIGHT | 3000K

LAMPING

Source	Linear LED
Total power	77W
Emission	diffused uplight
Switching	dimnable 1-10V
Tension	110/240V
Color temperature	3000K
Luminous flux	4000lm (luminous output)
Typ cri	85
Energy class	A+
Notes	cable length 2,5m; adjustable cable length minimum 0,4m
Net lamp weight	6 Kg

Codes

KEM LWW 51
KEM LNN 51
KEM LOW 51

Structure

white
black
gold painted

PACKAGE

Package 01 90x90x45 cm / Gross weight: 11 Kg

Certificazioni

