

NEMO^{USA}

KEPLER

Arihiro Miyake

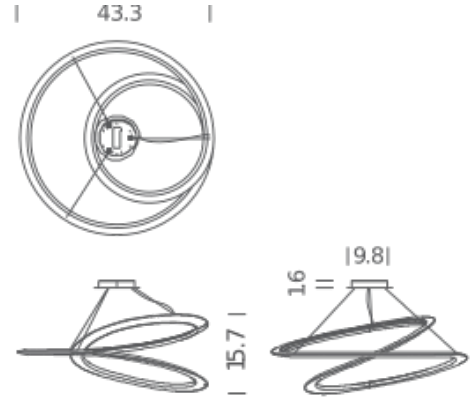
Pendant lamp in epoxy-coated aluminum, in matt white or black. Available in uplight and downlight versions for widespread and comfortable lighting. The endless line is made through a 3-dimensional deformation process of extruded aluminum, designed using the mathematics of Moebius ribbons.



DOWNLIGHT

Lamping

Source	LINEAR LED
Total power	65W
Emission	INDIRECT
Switching	dimnable, 1-10V
Tension	120V
Color temperature	2700K
Luminous flux	6300lm
Typ cri	83
Energy class	A+
Ip class	20
Dimensions	Ø 43.3 X 15.7 H
Materials	aluminum + PC
Notes	cable length 8.2'



Codes

KEP LNN 54

white

KEPLWW54

white

Net lamp weight

Structure

black

white

Diffuser

19.8 lbs

Package 1

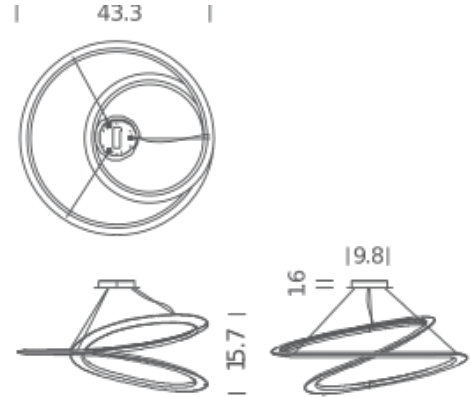
Dimensions 47.6 X 47.6 X 20.5

Gross weight 41.9 lbs

UPLIGHT

Lamping

Source	LINEAR LED
Total power	65W
Emission	INDIRECT
Switching	dimnable, 1-10V
Tension	120V
Color temperature	2700K
Luminous flux	6300lm
Typ cri	83
Energy class	A+
Ip class	20
Dimensions	Ø 43.3 X 15.7 H
Materials	aluminum + PC
Notes	cable length 8.2'



Codes

KEP LNN 53

white

KEPLWW53

white

Net lamp weight

Structure

black

white

Diffuser

Package 1

Dimensions 47.6 X 47.6 X 20.5

Gross weight 41.9 lbs