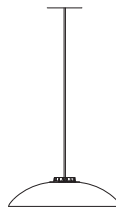


HeadHat Plate

Santa & Cole Team. 2013
Pendant lamps

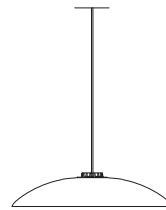


HeadHat Plate S



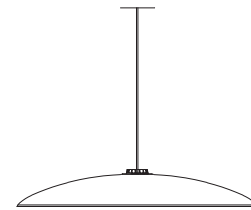
A

HeadHat Plate M



B

HeadHat Plate L



C



These polished metal shades project a general, glare-free light beam that becomes wider and more diffused as its diameter increases, reaching the large sizes of the L model.

General description:

Capsule with LED module, translucent white diffuser and heat sink with matte black finish.

White metallic shade with matte finish. Includes coupling washer in white methacrylate.

5 metal circular canopy options with power supply incorporated:

Not dimmable (CE Market): white or black surface-mounted canopy with matte finish.

Dimmable: white or black surface-mounted canopy with matte finish and power supply incorporated.

S&C LED capsule suitable with HeadLed System lampshades and Cirio structures.

Electric cable length: 3 m / 118.1" - 8 m / 315"

Suitable for Junction Box (UL market).

Approximate weight (unpacked):

(A) HeadHat Plate S: 1,5 kg / 3 lb

(B) HeadHat Plate M: 1,9 kg / 4.2 lb

(C) HeadHat Plate L: 3 kg / 6.8 lb

Technical information:

Light source included.

Not dimmable (CE market):

Module of 4 LEDs

Rated input wattage: 3,7 W

Operating current: 350 mA

Colour Temp.: 2.700 K

CRI: 90

Lifetime: 40.000 h

Luminous flux: 416 lm

Dimmable:

Rated input wattage: 7,7 W

Operating current: 700 mA

Colour Temp.: 2.700 K

CRI: 90

Lifetime: 40.000 h

Luminous flux: 752 lm

Built-in dimmable LED.

Suitable for dimming 1-10V. (Not included external dimmer switch 1-10V).

Energy efficiency class (E.E.C): A++... A.

Suitable only for indoor use.

Always use this light source.

Input voltage: 90 ~ 305 Vac.

(50 Hz / 60 Hz). According to destination.

HeadHat Plate

Santa & Cole Team. 2013
Pendant lamps

Regulations:

CE
UNE-EN 60598
UNE-EN 55015
UNE-EN 62031
UNE-EN 61000-3-2
UNE-EN 60529
UNE-EN 61347-2-13

UL

Dry location only
UL-1598
UL-8750
E-336377

Maintenance:

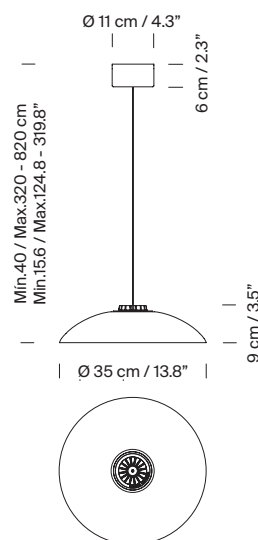
Clean with a smooth cloth. Do not use ammonia, solvents or abrasive cleaning products.

Others:

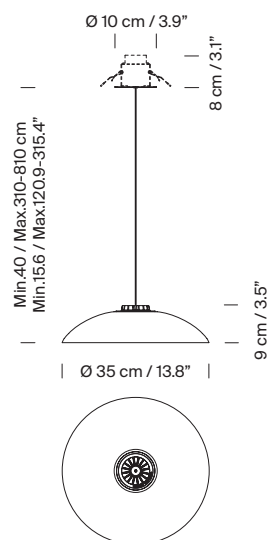
The lamp is delivered in different packages.
The assembly instructions are delivered with the product.

Model A: HeadHat Plate S

Surface canopy

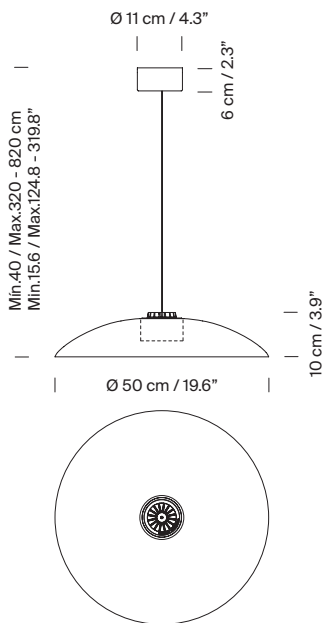


Built-in canopy (CE Market)

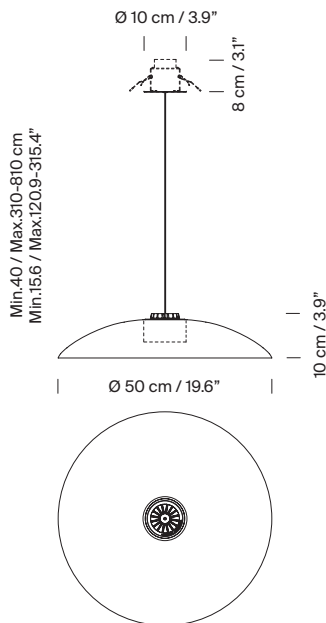


Model B: HeadHat Plate M

Surface canopy

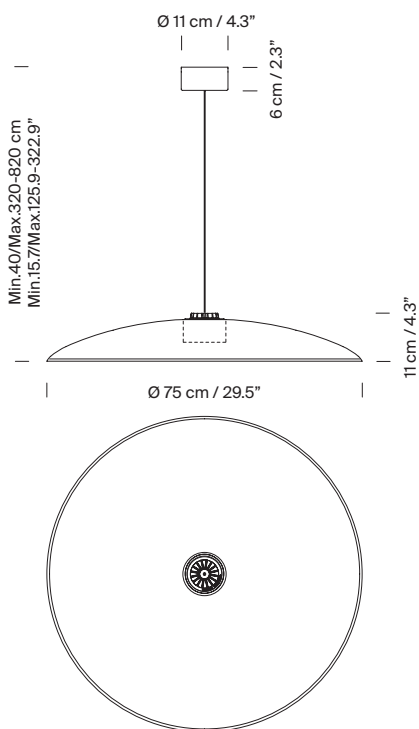


Built-in canopy (CE Market)

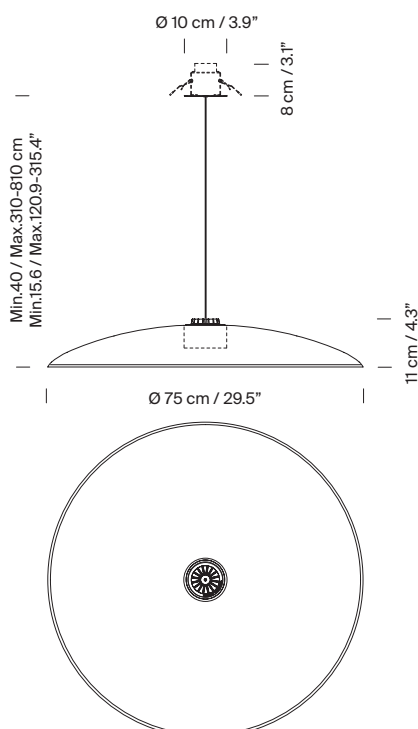


Model C: HeadHat Plate L

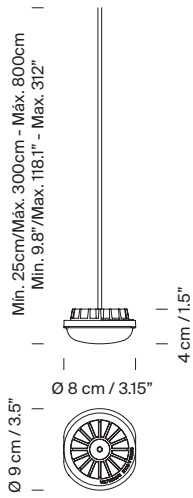
Surface canopy



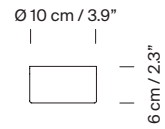
Built-in canopy (CE Market)



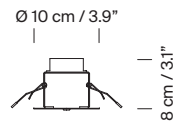
LED Capsule



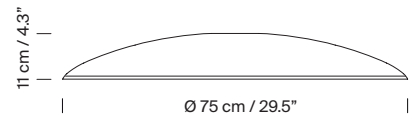
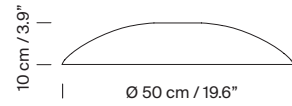
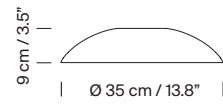
Surface canopy



Built-in canopy (CE Market)



HeadHat Bowl Lampshades (S / M / L)



Collection:
 Pendant lamps



HeadHat Bowl



HeadHat Plate