

Designed by Greta Grossman

PRODUCT



COLORS



DESCRIPTION

The iconic Gräshoppa shade is fixed with a brass tube and brass fittings on the top. For mounting on the ceiling, the pendant is equipped with a steel bracket covered by a half round sphere canopy in brass and a brass tube. Shade is powder-coated and are available in 5 colours.

VERSION - GRÄSHOPPA PENDANT

Colour codes are indicative.

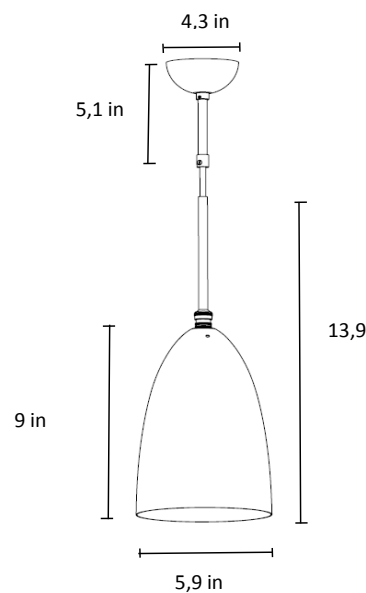
- Fabric wire is black on Jet black, Anthracite grey and Vintage red, white on Blue grey and Matt white
- Jet Black / White inside // RAL 9005 / RAL 9003 // Gloss level 20 / Gloss level 20
- Anthracite grey / White inside // RAL 7016 / RAL 9003 // Gloss level 20 / Gloss level 20
- Blue grey / White inside // RAL 160 60 05 / RAL 9003 // Gloss level 20 / Gloss level 20
- Matt white / White inside // RAL 9003 / RAL 9003 // Gloss level 20 / Gloss level 20
- Vintage red / White inside // RAL 3012 / RAL 9003 // Gloss level 20 / Gloss level 20

VERSION

Order item - look for part number in the pricelist.

Series contains the following:

- GM1 GRÄSHOPPA
- GM2 COBRA TABLE
- GM3 COBRA FLOOR
- GRÄSHOPPA TASK TABLE LAMP
- GRÄSHOPPA PENDANT
- COBRA WALL LAMP



FACTS

MATERIAL

Shade: Powder-coated steel
Canopy: Brass plated steel
Swivel: Solid brass

MEASUREMENT - *L x W x H inches*

Lamp height: 13,9 inches
Lamp stand: 14,7 x 17,1 inches
Canopy diameter: Ø4,3 inches
Canopy length: 5,1 inches
Shade height: 9 inches
Shade diameter: Ø5,9 inches
Cable length, exposed: APP. 98,4 inches

WEIGHT ITEM - *LAMP INCL. WIRE*

1,5 lb

PACKAGING TYPE

Cardboard box

PACKAGING MEASUREMENT - *L x W x H inches*

L: 17,7 x W: 8,3 x H: 8,3 inches

WEIGHT PACKAGING - *MATERIAL TYPE (recyclable)*

- LD-EPE foam: 0,7 oz
- EPE bag: 0,3 oz
- PE polybag: 0,2 oz
- Cardboard inside: 8,1 oz
- Cardboard outside, 5ply Corrugated: 18,8 oz

WEIGHT INCL. PACKAGING - *TOTAL*

3,3 lb

NUMBER OF PARCELS

1 pcs.

GRÄSHOPPA // PENDANT, US MODEL

Designed by Greta Grossman

ACCESSORIES

-

ENVIRONMENT

-

TESTS

-

CERTIFICATION AND LABELS

CUL-CERTIFIED

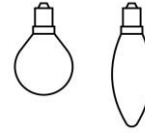
SAFETY INSTRUCTIONS

If the cord or plug is damaged, unplug it from the socket with dry hands. Do not use the lamp until it is

Instructions document: No. 53-20-001-02

LIGHT SOURCE:

- Socket: E12 base
- Bulb types recommended:



- Recommended light sources:

- Halogen light bulb*
- Recommended wattage: 46 W
- Max wattage: 46 W

All fluorescens light bulbs

- Recommended wattage: 15 W
- Max wattage: 15 W

LED retrofit light bulbs

- Recommended wattage: 7 W
- Max wattage: 9 W

- *Max. light out put for above lamps:*
- 800 Lumens = (60WATT incandescent bulbs)

- All lamps can be fitted with a dimmer -Please contact your local electrician.

- Lightbulb not included

- *US plug: Type A, 2 PIN, 15 amp, (NEMA 1-15)*

- *US voltage: 120 V*

- *Frequency: 60 Hz*

- *Supply voltage: AC power ~*

- *Normally Closed: IP20*



Class II / Double insulated



Mark for Canada and the U.S.



Luminaires accepted for mounting on a flammable base

