

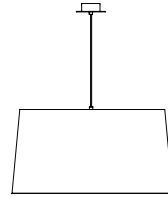


SANTA & COLE

GT5

Santa & Cole Team, 1994

Hanging lamp



The GT5 is a large suspended lampshade.
The ribbon structure filters a richly nuanced light.
The lamp also has an attractive ornamental presence when not in use.

GENERAL DESCRIPTION

Shade available in 6 finishes: natural, red-amber or black ribbon and terracotta, mustard or green Raw Color ribbon.
Circular metallic rosette satin nickel or textured white, black finished for a double or simple light source.

Suitable for side entry adaptor.
Suitable for Outlet Box (UL market).
Lower disk in translucent white plastic Ø 40cm / 15.7"
Electric cable length: 3 m / 117".

LIGHT SOURCE

Recommended light sources:
1x / 2x LED bulb: 17 W
1x / 2x Compact fluorescent: 20 W
1x / 2x Incandescent: Max. 100 W

E27 - E26
(Max. hgt. 130 mm / 5.1")

Light source not included.
Compatible with bulbs of the Energy efficiency class (C.E.E): A+... E.
Suitable only for indoor use.
Always use the light source recommended or equivalent.

Input voltage: 100, 120, 230 Vac.
(50 Hz / 60 Hz) According to destination.



SANTA & COLE

APPROXIMATE WEIGHT (without package)

4,3 Kg / 9.5 lb

REGULATIONS

CE



IP 20

UNE-EN 60598

UNE-EN 55015

UNE-EN 60529



Non-class 2

Dry location only

UL-153

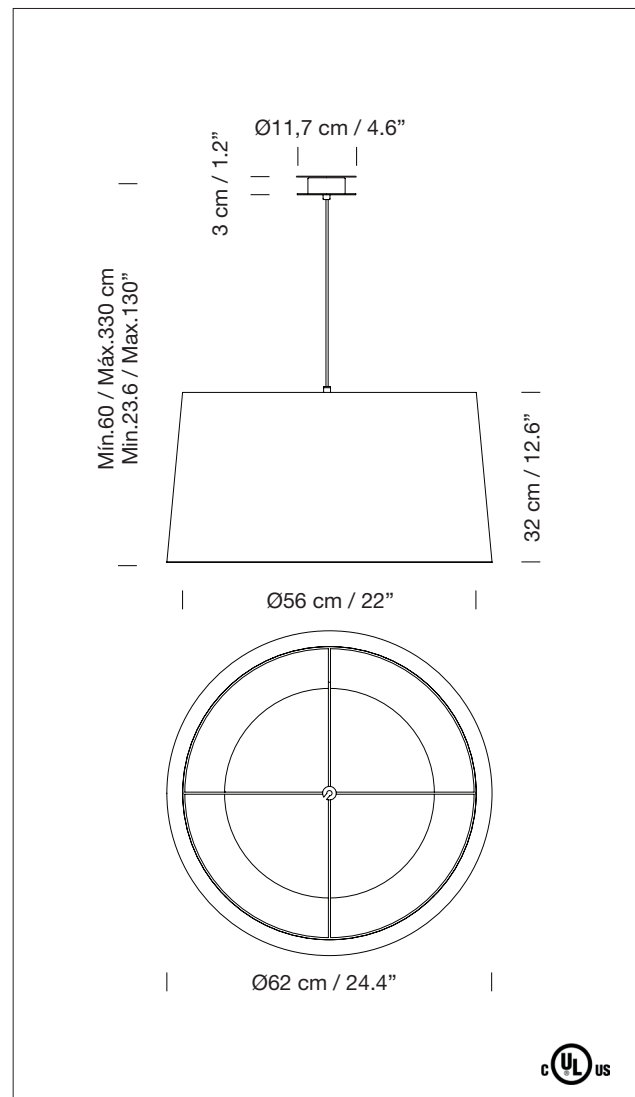
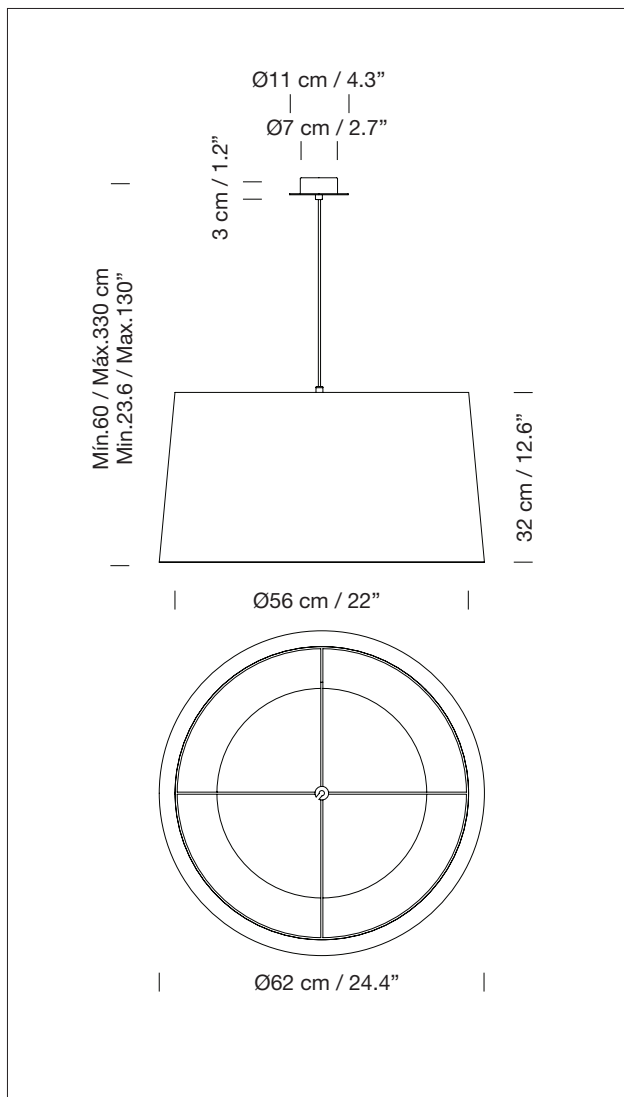
MANTENANCE

Clean with a smooth cloth. Do not to use ammonia, solvents or abrasive cleaning products.

OTHERS

The lamp is delivered in different packages.
The assembly instructions are delivered with the product.

MODEL





SANTA & COLE



Collection

Table lamps



Tripode M3 / G6

Floor lamps



Tripode G5

Hanging lamps



GT6



GT7



GT1000 / GT1500