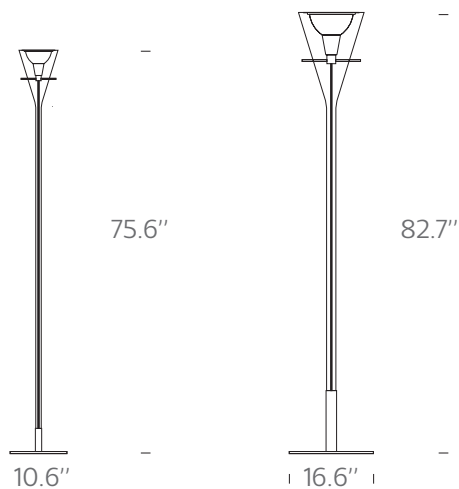


FLÛTE - MAGNUM

FRANCO RAGGI, 1999

FontanaArte



Mounting: floor
Environment: indoor (dry location)
Description: Floor lamp with dimmer. Transparent borosilicate glass stem. Polished chromed aluminium reflector. Base and reflector support in chromed metal. Transparent power cable and dimmer.
Emergency: Without
Dimming: yes
Voltage (V): 120 V

CODE	SIZE	LIGHT SOURCE
U3300	ø 10.6" × 75.6"	1×250W (HA) E26
U3300/1	ø 16.6" × 82.7"	1×300W (HA) T3/L Double Ended R7s - long

CODE	DESCRIPTION	PACKAGING SIZE	NET WEIGHT	GROSS WEIGHT
U3300	complete lamp	12.1" × 12.1" × 78.8"	lbs 23.3	lbs 18.7
U3300/1	mounting	16.4" × 16.4" × 85.8"	lbs 30.8	lbs 24.2
	base	18.3" × 18.3" × 2.7"	lbs 26.4	lbs 22

IN THE SAME FAMILY



FAENA
SUSPENSION
LAMP



FAENA
WALL LAMP

