

# ELLISSE PENDANT TRIPLE

*Federico Palazzari*

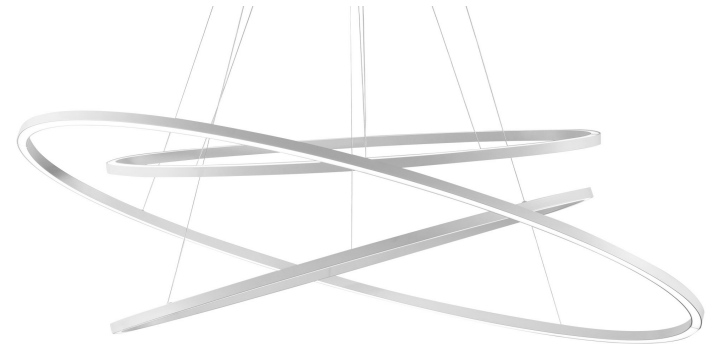
Collection of LED pendants, floor/wall lamps available in different versions: major, minor, double, triple and mega provides a direct or indirect diffused light.

In extruded aluminum in different versions: matt lacquered in the finishes, white, black and gold, natural polished and gold polished anodized.

Equipped with an opal diffuser.

The lamps are made using a proprietary extrusion coupling technology.

Ellisse Major is also available as floor or wall versions and is provided with a black marble base or a wall hook accessory.



# LED 2700K

## LAMPING

Source	linear LED
Total power	90W
Emission	diffused orientable uplight(minor), diffused orientable downlight (major/minor)
Switching	dimnable 1-10V
Tension	110 / 240 V
Color temperature	2700K
Luminous flux	1325+2050+1325lm (luminous output)
Typ cri	85
Energy class	A+
Notes	adjustable cable length from 2,5m to 0,4m, DALI version on request
Net lamp weight	5 kg

## Codes

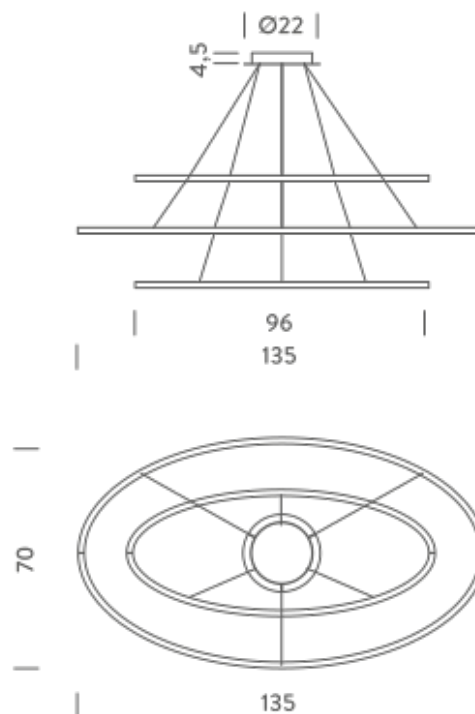
ELP LW2 57  
ELP LN2 57  
ELP LL2 57  
ELP LO2 57  
ELP LGW 57

## Structure/Diffuser

white/white  
black/white  
polished aluminium/white  
gold painted/white  
gold polished anodized/white

## PACKAGE

Package 01  
Dimension: 80x150x15 cm / Gross  
weight: 7,5 kg



# LED 3000K

## LAMPING

Source	linear LED
Total power	90W
Emission	diffused orientable uplight(minor), diffused orientable downlight (major/minor)
Switching	dimmable 1-10V
Tension	110 / 240 V
Color temperature	3000K
Luminous flux	1325+2050+1325lm (luminous output)
Typ cri	85
Energy class	A+
Notes	adjustable cable length from 2,5m to 0,4m, DALI version on request
Net lamp weight	5 kg

## Codes

- ELP LWW 57
- ELP LNW 57
- ELP LLW 57
- ELP LOW 57

## Structure/Diffuser

- white/white
- black/white
- polished aluminium/white
- gold painted/white

## PACKAGE

Package 01	Dimension: 15x80x150 cm / Gross weight: 7,5 kg
------------	---

