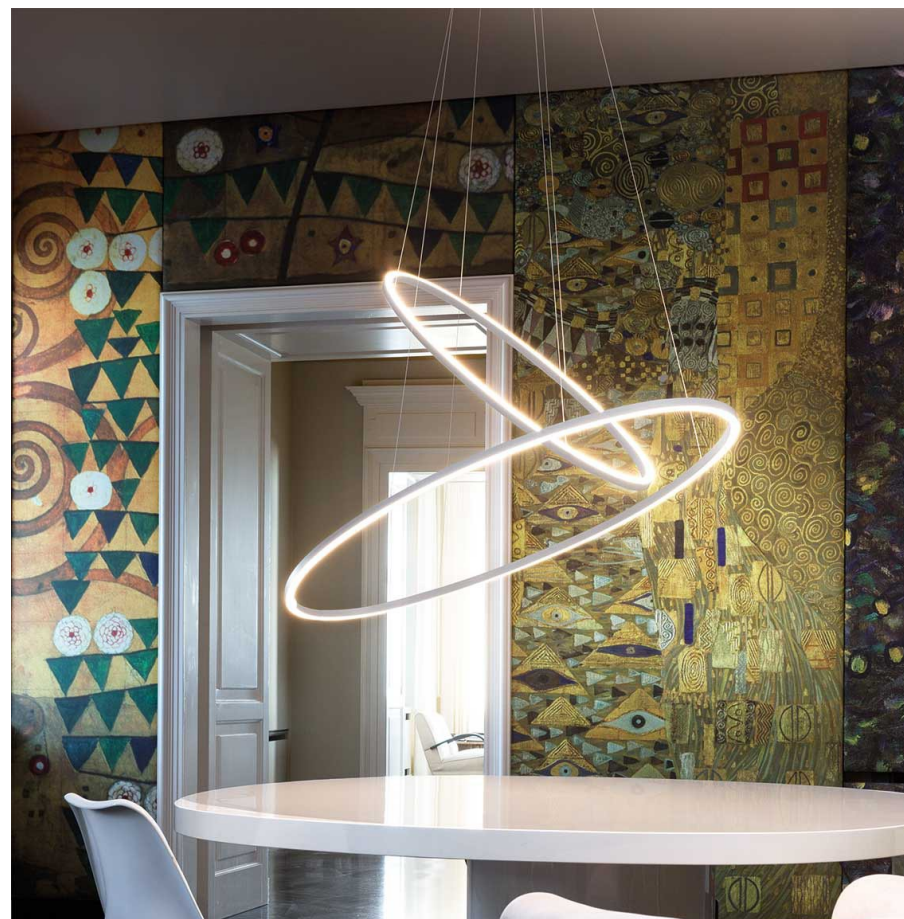


# ELLISSE PENDANT DOUBLE

*Federico Palazzari*

Collection of LED suspension lamps in extruded aluminum made in different versions: minor, major, double and the new "oversize" triple, mega and double mega versions, for direct or indirect diffused light. Available in different finishes, matt painted in white, black and gold, natural polished and glossy gold anodized. Opal diffuser. Ellisse is realized through a proprietary technology of coupling of the extrusions. The model "Major" is also available floor and wall versions.



# LED 2700K

## LAMPING

Source	linear LED
Total power	90W
Emission	diffused uplight(minor), diffused downlight (major)
Switching	dimnable 1-10V
Tension	110/230V
Color temperature	2700K
Luminous flux	2825+1850lm (luminous output)
Typ cri	85
Energy class	A+
Materials	Aluminium
Notes	cable lenght 2,5m cable length 2,5m; adjustable cable length up to 0,4 m
Net lamp weight	5.5 Kg

## Codes

ELP LW2 56  
ELP LN2 56  
ELP LGW 56  
ELP LL2 56  
ELP LO2 56

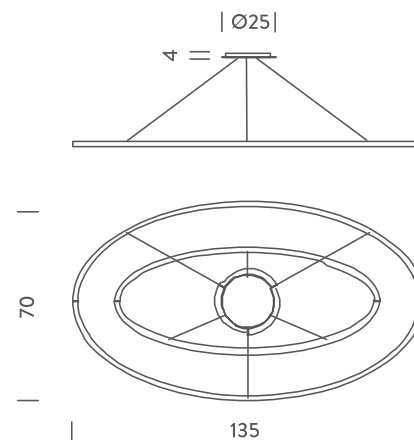
## Structure/Diffuser

white/white  
black/white  
gold polished anodized/white  
polished aluminium/white  
gold painted/white

## PACKAGE

Package 01 80x150x15 cm / Gross weight: 8 Kg

## Certificazioni



# LED 3000K

## LAMPING

Source	linear LED
Total power	90W
Emission	diffused uplight(minor), diffused downlight (major)
Switching	dimnable 1-10V
Tension	110/230V
Color temperature	3000K (gold version: 2700K)
Luminous flux	2825+1850lm (luminous output)
Typ cri	85
Energy class	A+
Materials	Aluminium
Notes	cable length 2,5m; adjustable cable length up to 0,4 m
Net lamp weight	5.5 Kg

## Codes

ELP LWW 56  
ELP LNW 56  
ELP LOW 56  
ELP LLW 56

## Structure/Diffuser

white/white  
black/white  
gold painted/white  
polished aluminium/white

## PACKAGE

Package 01 80x150x15 cm / Gross weight: 8 Kg

## Certificazioni

