
BuzziShade Square

110 - 120V

Product Specification Sheet

This document contains technical information about the BuzziShade



www.buzzi.space










Noise-reducing pendant lighting, with a twist.

Meet BuzziShade Square, with its unique personality. It combines a nicely finished metal frame, upholstered in BuzziFelt, with our signature lacing available in a wide range of colors. This meticulously crafted lighting fixture, with acoustic capabilities, reduces external noise level to a maximum while blending in with the interior. It is such a versatile modern lighting that means the perfect addition to any office, lobby area or restaurant. Be adventurous and hang several BuzziShade Square in a row for an even more distinctive setting and well-balanced space.

Designed by Stal Collectief

General

-  Square | Square LED Globe
-  BuzziFelt cover
-  Powder coated metal frame & metal ceiling canopy
-  Input Voltage: 110 - 120V
-  Input Frequency: 50/60Hz
-  Dry usage
-  Assembled

Certifications

BuzziShade Square (LED): cULus Listed

Acoustics



Absorption



Diffusion



Mid tone



High tone

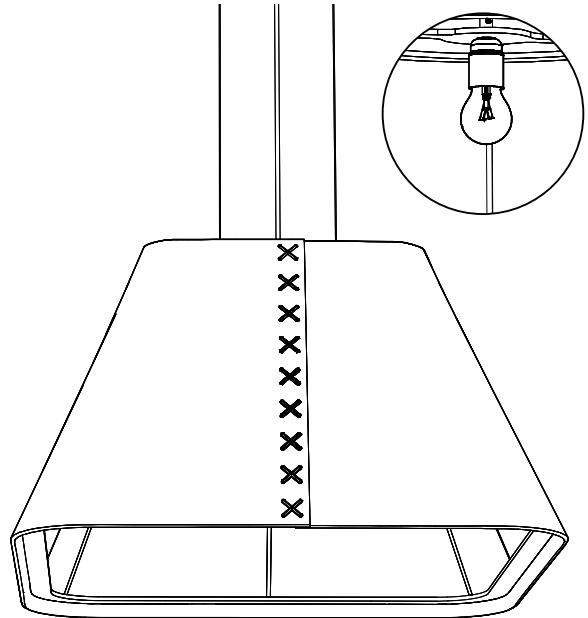
Content

| | |
|----------------------|---|
| Configurations | 3 |
| Technical components | 4 |
| Fabrics | 6 |
| Dimensions | 7 |
| Acoustics | 9 |

Configurations

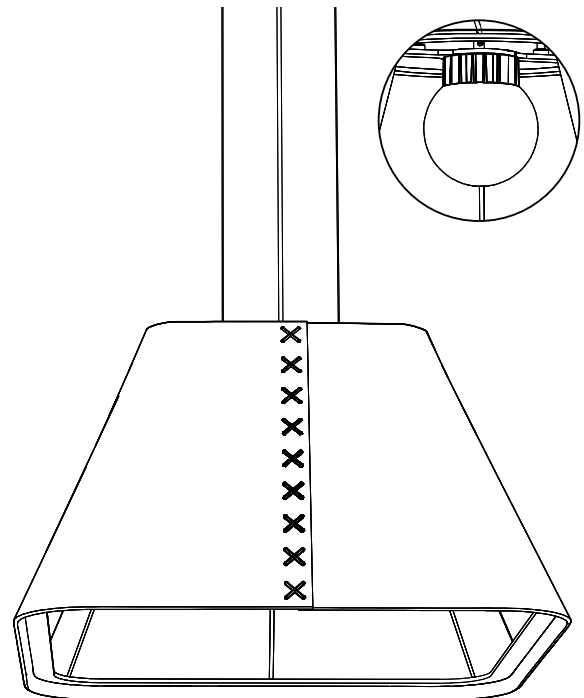
BuzziShade Square

- ◆ Medium
- ◆ BuzziFelt cover with lace
- 🌲 Metal frame in black (RAL 9005), white (RAL 9010), alu (RAL 9006) or fluorescent orange (RAL 2005)
- Height: 17.32"
- ✂ Width: 29.53"
- ✂ Depth: 29.53"
- 💡 E26 Fitting (Max. 100W)
Excl. Bulb
- ⚖ 11.02 lbs
- ◆ Lace: black | white | fluorescent orange
- ◆ Black or alu cables 78.74" - 196.85"
- ◆ Fabric power cord in black, red or fluorescent orange
- ◆ Ceiling canopy black or white
- ⚠ If installing on suspended ceiling, verify load capacity prior to installation.



BuzziShade Square LED Globe

- ◆ Medium
- ◆ BuzziFelt cover with lace
- 🌲 Metal frame in black (RAL 9005), white (RAL 9010), alu (RAL 9006) or fluorescent orange (RAL 2005)
- ◆ Fabric power cord in black
- ◆ Ceiling canopy black
- Height: 17.32"
- ✂ Width: 29.53"
- ✂ Depth: 29.53"
- ◆ Wattage: 19W
- ◆ LED source incl. Glass globe
- ◆ Lumen Output: 1500 lumen
- ◆ Color Temperature: 3000K
- ◆ Color Rendering Index: 90
- ◆ Dimmable: 1-10V Protocol
- ⚖ 15.43 lbs
- ◆ Lace: black | white | fluorescent orange
- ◆ Black or alu cables 78.74" - 196.85"
- ⚠ If installing on suspended ceiling, verify load capacity prior to installation



Technical components

BuzziShade

Ceiling canopy

Metal ceiling canopy in black (RAL 9005)
or white (RAL 9010)
Including mounting hardware suitable for a 4" outlet box.
Height: 0.79"
Diameter: 6.10"

Frame

Metal frame available in following colors:
Powder coated white | RAL 9010
Powder coated black | RAL 9005
Fluorescent orange | RAL 2005
Aluminium | not powder coated



Technical components

BuzziShade LED

Ceiling canopy

Powder coated metal canopy in black (RAL 9005)

Including mounting bracket

Width: 5.51"

Length: 11.04"

Height: 1.57"

Frame

Metal frame available in following colors:

Powder coated white | RAL 9010

Powder coated black | RAL 9005

Fluorescent orange | RAL 2005

Alu | not powder coated



Light source

LED light source with powder coated metal heat sink and ceiling canopy in black (RAL 9005) finished with a frosted glass sphere.

Height: 7.87"

Width: Ø 5.91"



Fabrics

Felt



Composition 100% Recycled PE.T. Felt, latex backing

Weight 1.000 g/m2 | 29.49 oz/yd2

Abrasion resistance >7.000 Martindale

Flammability EU: EN 13501.1 + A1/2009 Class B-s1,d0
USA: ASTM E84 Class A certified

Fastness to light USA 5



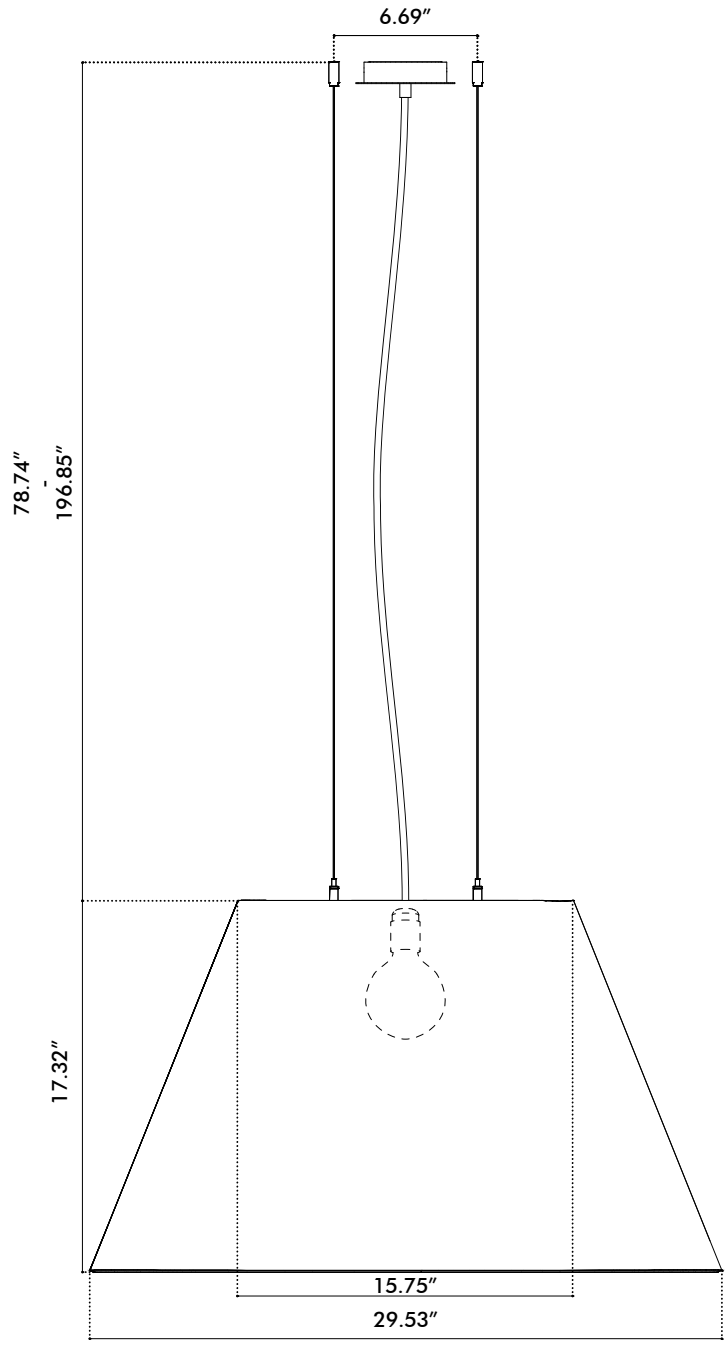
Lace

Lace black | white | fluorescent orange

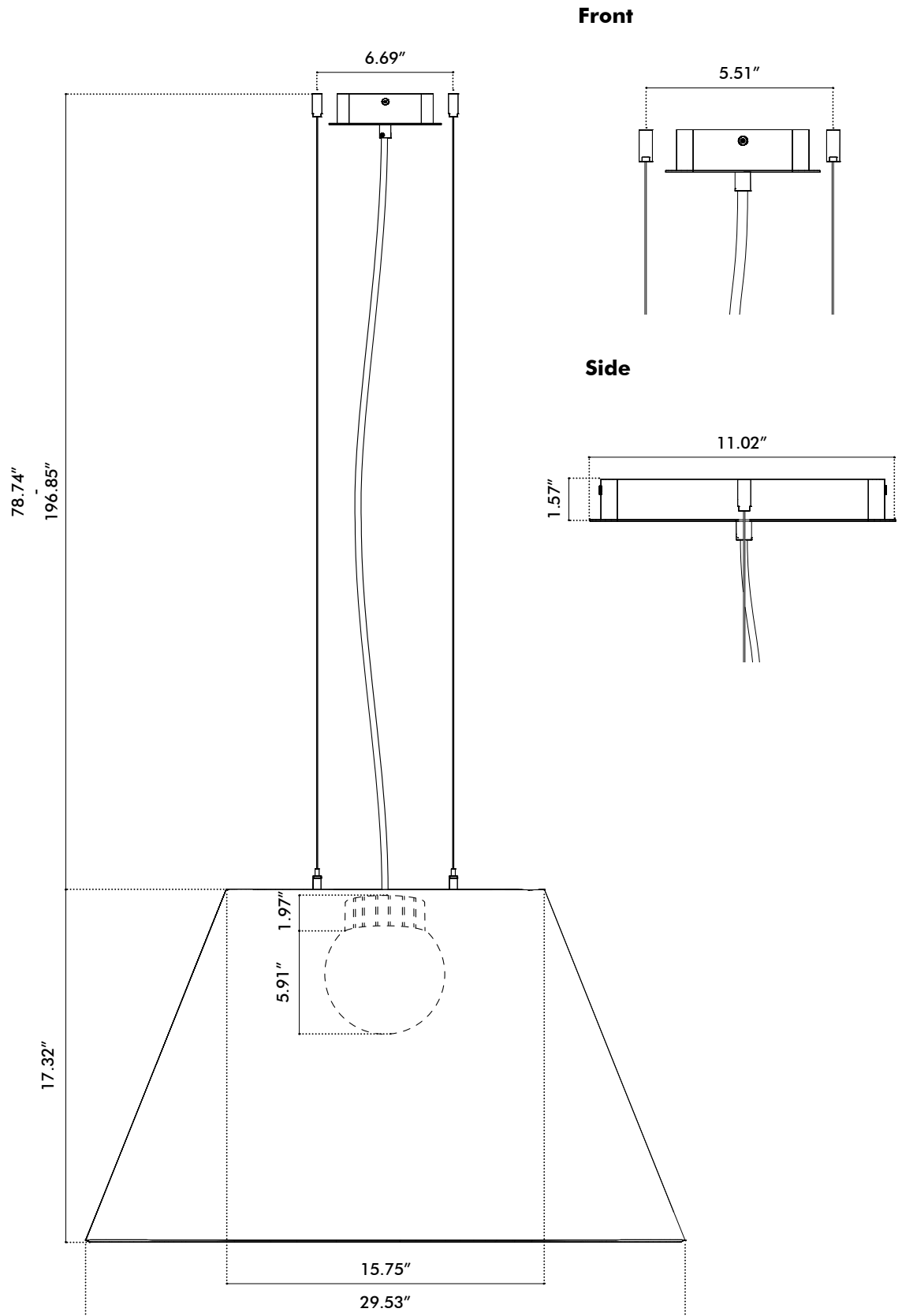


Dimensions

BuzziShade Square Medium



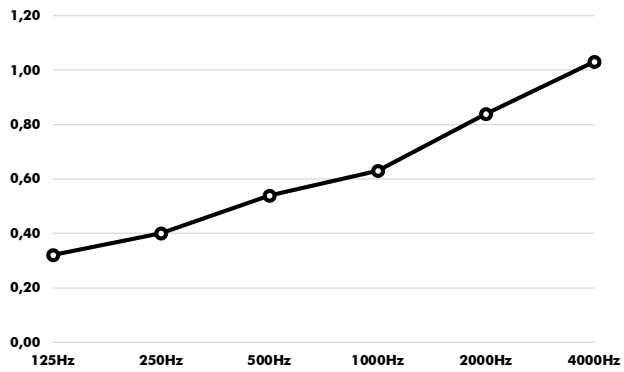
BuzziShade Square LED Globe Medium



Acoustics

BuzziShade Square

Equivalent sound absorption area in m² per object



| Hz | Aeq/m ² |
|------|--------------------|
| 125 | 0,32 |
| 250 | 0,40 |
| 500 | 0,54 |
| 1000 | 0,63 |
| 2000 | 0,84 |
| 4000 | 1,03 |