



BuzziPleat LED 100 - 120V **Product Specification Sheet**

This document contains technical information about the BuzziPleat LED Globe



www.buzzi.space


Sculptural pendant enfolds silence and light


BuzziPleat, a dynamic series of acoustic solutions by 13&9, delivers sound control with architectural edge. Traditional fashion design techniques, like smocking and pleating, are reinterpreted with sound-absorbing BuzziFelt to create large architectural folds, which maximize surface to deliver exceptional acoustic performance. The large-scale, yet lightweight sculptural forms can be suspended from the ceiling or applied as wallhanging. The suspended BuzziPleat LED configuration marries sound control and illumination. It is equipped with BuzziSol, a powerful LED light source. The dimmable warm light gives BuzziPleat an even greater sense of depth.


Design by 13&9 Design

General

 Edel | Ripple

 BuzziFelt shade
LED light source

Wattage: 19W
Input voltage: 110 - 120V
Input freq.: 50/60Hz
 Lumen Output: 1500 lumen
Color Temperature: 3000K
Dimmable: 1-10V Protocol

 IP20 Dry usage

Certifications

cULus Listed Light Source

Acoustics



Absorption



Diffusion



Mid tone



High tone

Content

Configurations	3	Dimensions	6
Fabrics	4	Acoustics	8
Technical Components	5		

Configurations

BuzziPleat LED Globe Ripple

◆ M, L

BuzziFelt shade with offwhite or black lace
LED Light source with powder coated metal heatsink and ceiling canopy in black (RAL 9005)
Frosted glass globe and black fabric power cable



LED light source: H 7.87" Ø 5.91"
Ceiling canopy: W 5.51" L 11.02" H 1.57"
Shade: M Ø 39.37" H 39.37"
L Ø 59.06" H 7.68"



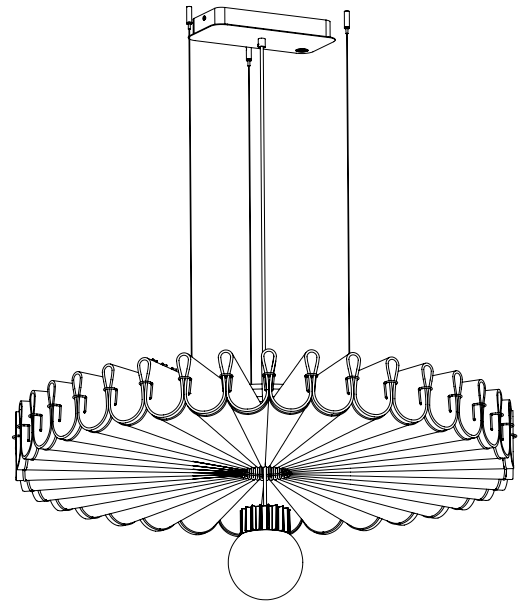
M: 4.77 lbs
L: 27.34 lbs



Lace: OffWhite or Black
Black or alu cables 78.74" - 196.85"



If installing on suspended ceiling, verify load capacity prior to installation.



BuzziPleat LED Globe Edel

◆ M, L

BuzziFelt shade with offWhite or black lace
LED Light source with powder coated metal heatsink and ceiling canopy in black (RAL 9005)
Frosted glass globe and Black fabric power cable



Light element: H 7.87" Ø 5.91"
Ceiling canopy: W 5.51" L 11.02" H 1.57"
Shade: M Ø 39.37" H 39.37"
L Ø 59.06" H 7.68"



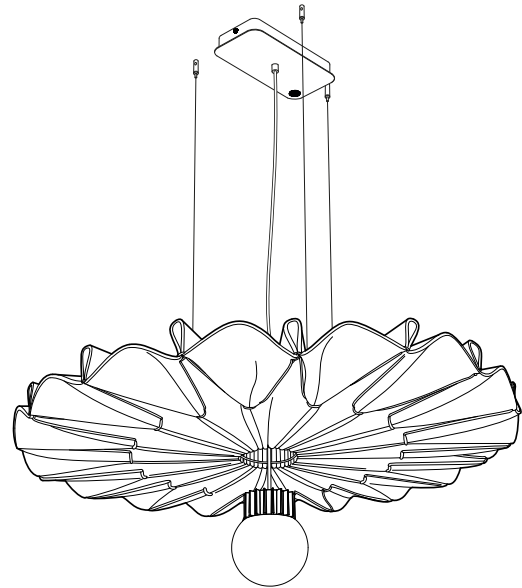
M: 12.57 lbs
L: 22.93 lbs



Lace: offwhite or black
Black or alu cables 78.74" - 196.85"



If installing on suspended ceiling, verify load capacity prior to installation.



Fabrics

Felt

Composition 100% Recycled P.E.T. Felt, latex backing

Weight 1.000 g/m2 | 29.49 oz/yd2

Abrasion resistance >7.000 Martindale

Flammability EU: EN 13501.1 + A1/2009 Class B-s1,d0
USA: ASTM E84 Class A certified

Fastness to light USA 5



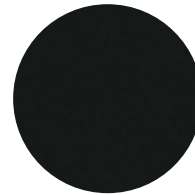
FE-OffWhite 63



FE-StoneGrey 67



FE-Lime 64



FE-Anthracite 68

Technical components

BuzziPleat LED Globe

Ceiling canopy

Powder coated metal canopy in black (RAL 9005)
Including mounting bracket

W 5.51" L 11.02" H 1.57"



LED light source

The LED light source consists of a black powder coated metal heatsink fitted with a C.O.B. LED source, finished with a frosted glass globe.

The distance between the light element and the acoustic shade can be adjusted and should be more than 1,97"



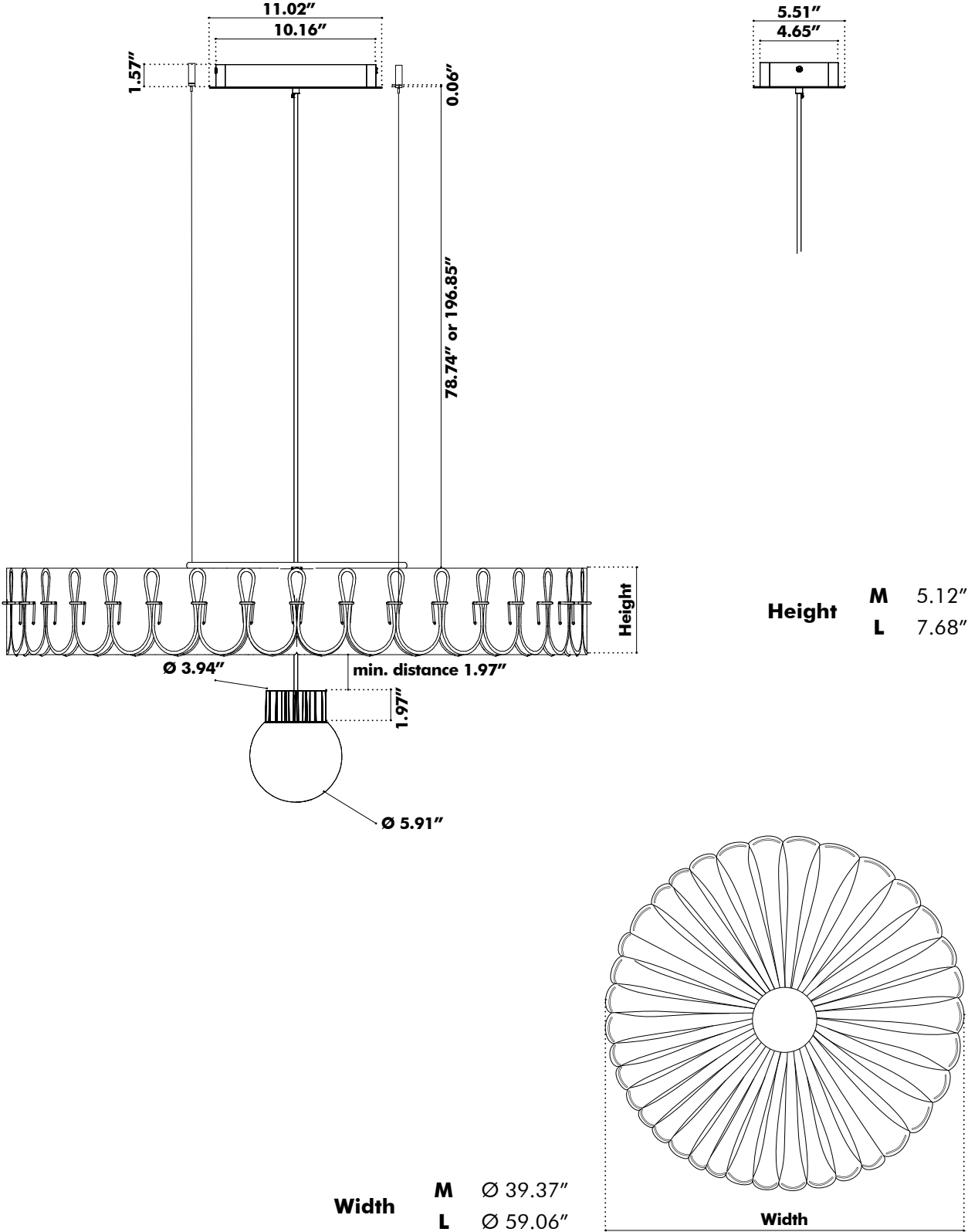
Felt shade

The lightweight sculptural shade is created by pleating or smocking sound absorbing BuzziFelt.
The architectural folds maximize surface area, delivering exceptional acoustic performance.

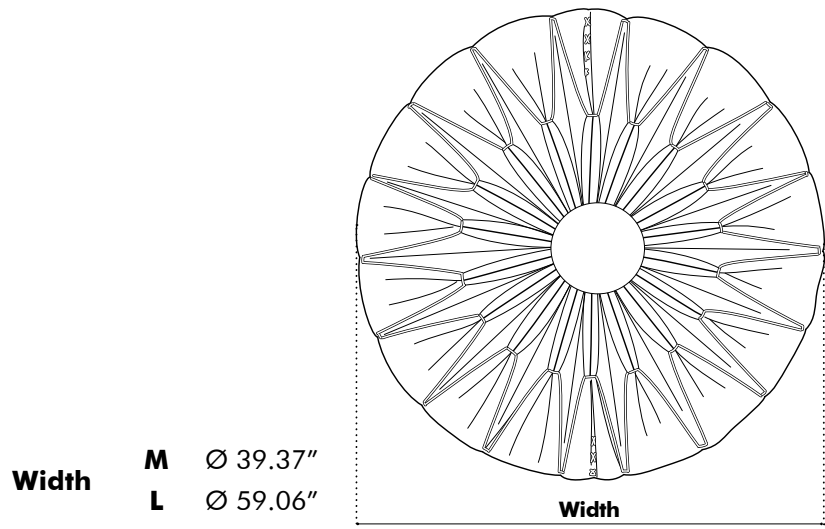
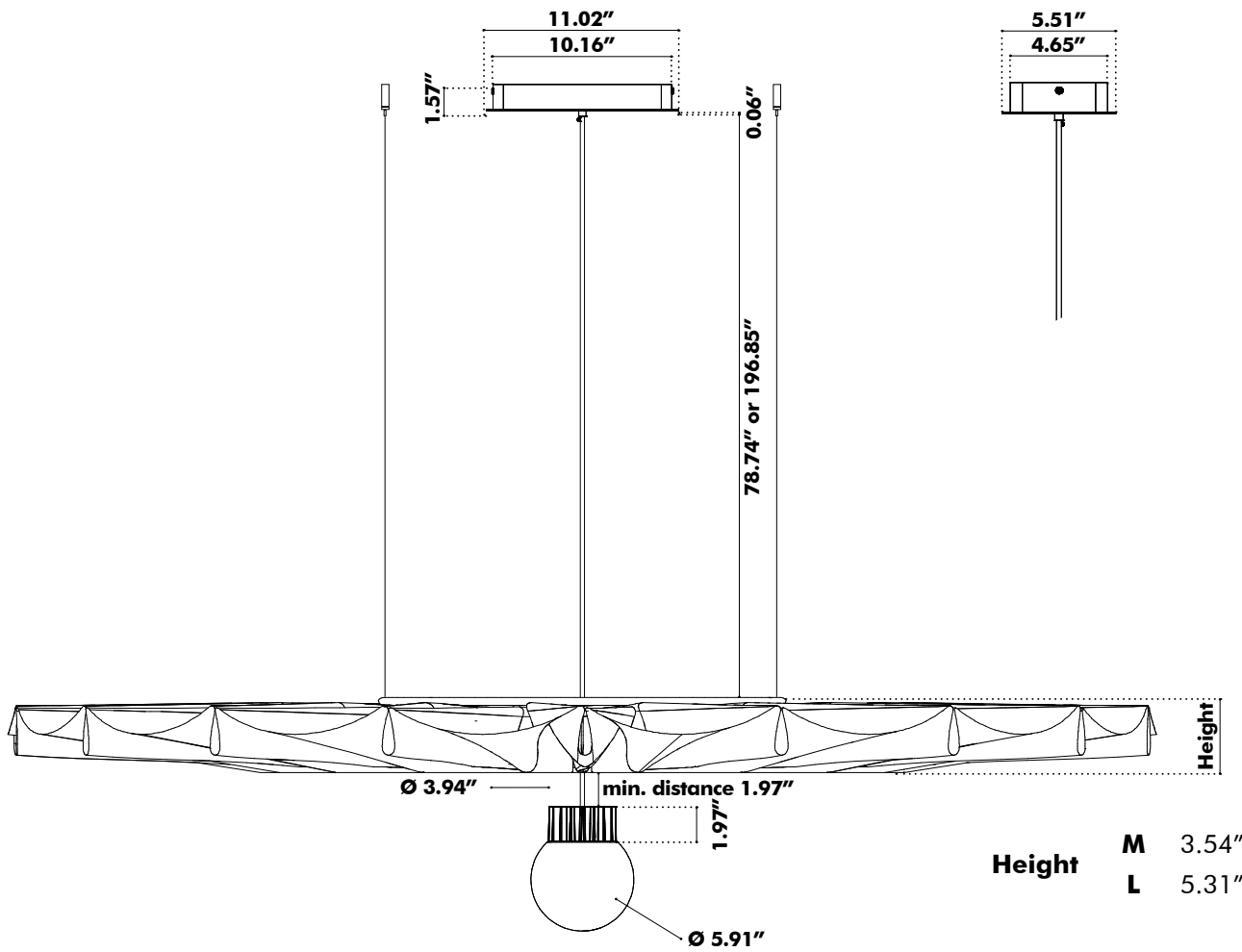


Dimensions

BuzziPleat LED Ripple



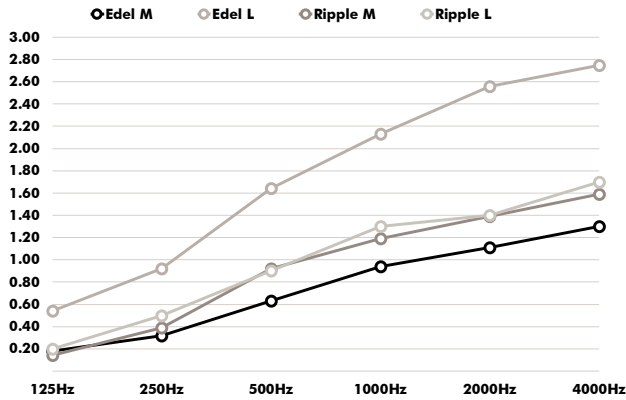
BuzziPleat LED Edel



Acoustics

BuzziPleat Ceiling

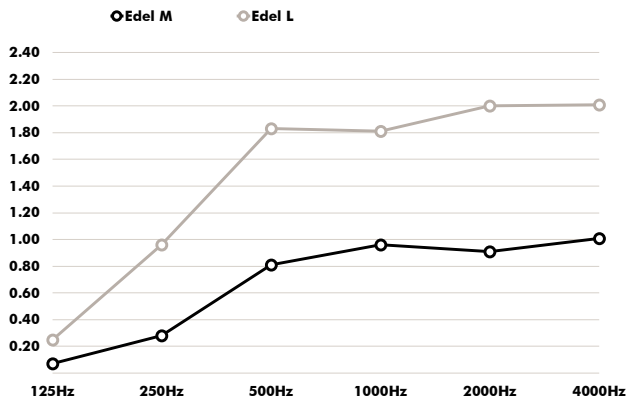
Equivalent sound absorption area in m² per object



Hz	Edel M Aeq/m ²	Edel L Aeq/m ²	Ripple M Aeq/m ²	Ripple L Aeq/m ²
125	0.18	0.54	0.14	0.20
250	0.32	0.92	0.39	0.50
500	0.63	1.64	0.92	0.90
1000	0.94	2.13	1.19	1.30
2000	1.11	2.56	1.39	1.40
4000	1.30	2.75	1.59	1.70

BuzziPleat Wall

Equivalent sound absorption area in m² per object



Hz	Edel M Aeq/m ²	Edel L Aeq/m ²
125	0.07	0.25
250	0.28	0.96
500	0.81	1.83
1000	0.96	1.81
2000	0.91	2.00
4000	1.01	2.01