

---

## **BuzziHat 110 - 120V** **Product Specification Sheet**

---

This document contains technical  
information about the BuzziHat

---



[www.buzzi.space](http://www.buzzi.space)








## Say goodbye to noisy environments with BuzziHat

A decorative and highly recognizable hat-shaped pendant light with excellent sound absorption capabilities. Its unique design, combining an upholstered part with a metal shade is bound to steal the attention in any space. The upholstered foam body is available in a wide palette of color and fabric combinations, while the metal shade and ring come in 4 finishes (black, white, beige red and gold). Mix colors of your choosing and match the fabric of BuzziHat with the color of your furniture to create an impeccable setting. BuzziHat is available in different sizes to fit different sonic environments which makes it the ultimate acoustic lighting for any office, lobby or restaurant that needs acoustic absorption treatment combined with high-quality lighting.

Design by Alain Gilles

---

## General

-  Ceiling Suspended  
S | M | L | XL
-  Upholstered acoustic foam element  
Powder coated metal shade and ring
-  LED disk with opaque diffuser  
Powder coated metal ceiling canopy in white (RAL 9010)  
Transparent power cable
-  Wattage: 19W  
Input Voltage: 110 - 120V  
Input Frequency: 50/60Hz  
Lumen Output: 2000 lumen  
Color Temperature: 3000K  
Color Rendering Index: < 90  
Unified glare rating: 20 / UGR 19 on request  
Dimmable: 1-10V Protocol
-  IP20 Dry Usage
-  Assembled
-  If installing on suspended ceiling, verify load capacity prior to installation

---

## Certifications

cULus Listed

---

## Acoustics



Absorption



Diffusion



Mid tone



High tone

---

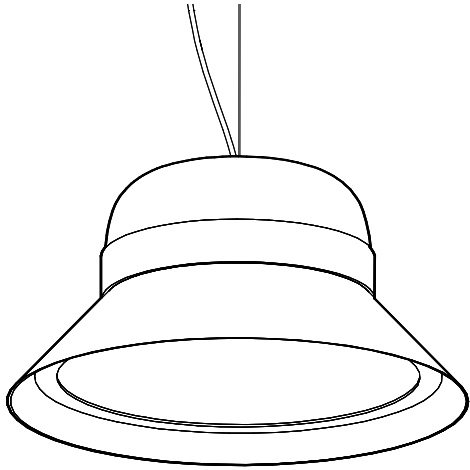
## Content

Configurations	3	Fabrics	6
Composition	5	Dimensions	10

# Configurations

---

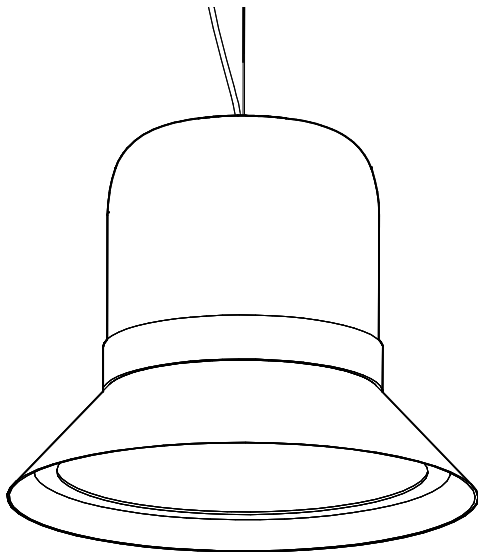
## BuzziHat Suspended S



- ◆ Ceiling Suspended
  - Upholstered acoustic foam element
  - Powder coated metal shade and ring
- 🌲 LED disk with opaque diffuser
- Powder coated metal ceiling canopy in white (RAL 9010)
- Transparent power cable
- ✂ S: Ø 20.47" H: 11.02"
- ⚖ 14.33 lbs
- ⋮ Powder coated metal shade and decorative ring in black (RAL 9005), white (RAL 9010), beige red (RAL 3012) or gold
- Black or alu cable 78.74" - 196.85"
- ⚠ If installing on suspended ceiling, verify load capacity prior to installation

---

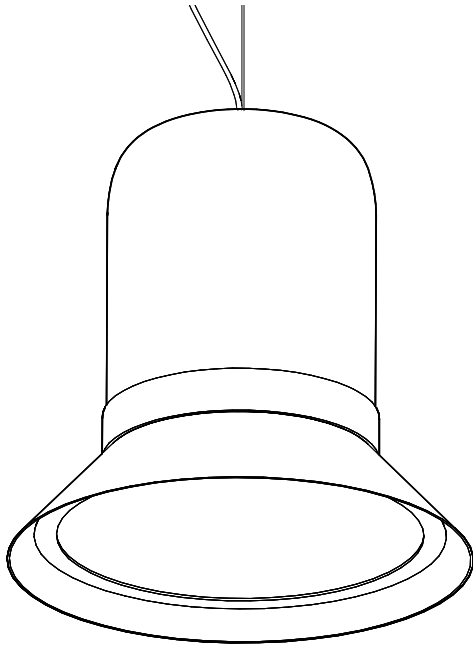
## BuzziHat Suspended M



- ◆ Ceiling Suspended
  - Upholstered acoustic foam element
  - Powder coated metal shade and ring
- 🌲 LED disk with opaque diffuser
- Powder coated metal ceiling canopy in white (RAL 9010)
- Transparent power cable
- ✂ M: Ø 20.47" H: 16.54"
- ⚖ 15.43 lbs
- ⋮ Powder coated metal shade and decorative ring in black (RAL 9005), white (RAL 9010), beige red (RAL 3012) or gold
- Black or alu cable 78.74" - 196.85"
- ⚠ If installing on suspended ceiling, verify load capacity prior to installation

---

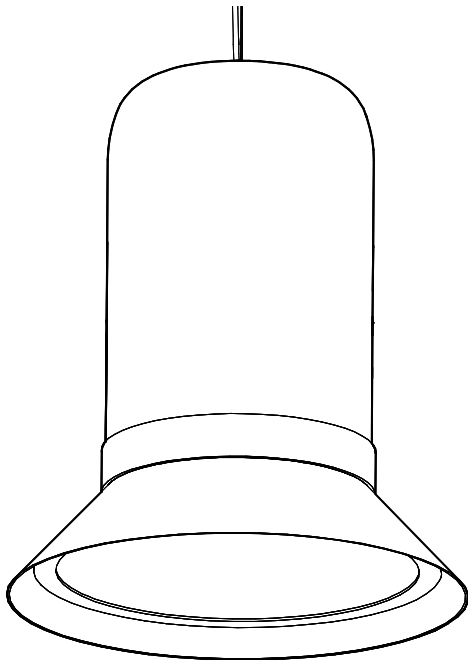
## BuzziHat Suspended L



- ◆ Ceiling Suspended
- Upholstered acoustic foam element
- Powder coated metal shade and ring
- 🌲 LED disk with opaque diffuser
- Powder coated metal ceiling canopy in white (RAL 9010)
- Transparent power cable
  
- ✂ L: Ø 20.47" H: 20.47"
  
- ⚖ 16.53 lbs
  
- ... Powder coated metal shade and decorative ring in black (RAL 9005), white (RAL 9010), beige red (RAL 3012) or gold
- Black or alu cable 78.74" - 196.85"
  
- ⚠ If installing on suspended ceiling, verify load capacity prior to installation

---

## BuzziHat Suspended XL



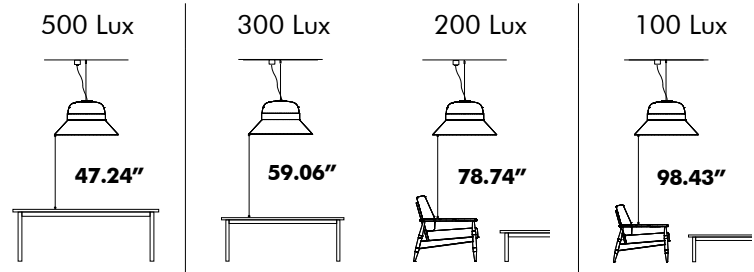
- ◆ Ceiling Suspended
- Upholstered acoustic foam element
- Powder coated metal shade and ring
- 🌲 LED disk with opaque diffuser
- Powder coated metal ceiling canopy in white (RAL 9010)
- Transparent power cable
  
- ✂ XL: Ø 20.47" H: 24.41"
  
- ⚖ 17.64 lbs
  
- ... Powder coated metal shade and decorative ring in Black (RAL 9005), White (RAL 9010), Beige Red (RAL 3012) or gold
- Black or alu cables 78.74" - 196.85"
  
- ⚠ If installing on suspended ceiling, verify load capacity prior to installation

# Composition

## LED Disk

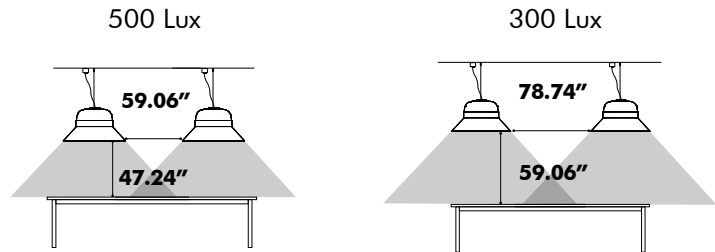


The PMMA diffuser ensures an optimal light spread and efficiency. It creates a very diffuse light surface without any dottiness. To enlight your workplace or room with optimal lux levels take following measures into account.



Office, meeting room      Reception desk, lounge, classroom      Entrance Hall

To ensure a continuous light spread take following distances inbetween the BuzziHats



According to EN12464

## Mix and Match



Customize your BuzziHat by mixing and matching the color of the ring, the shade and the upholstery fabric.

## Ceiling canopy and power cord

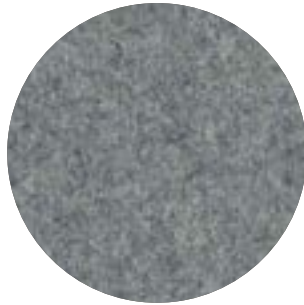


Suspension set consists of a:

- metal ceiling canopy powder coated in white (RAL 9010)
- transparent power cable (length 196.85")
- separate metal cables to suspend the BuzziHat (in alu or black 78.74" or 196.85")

# Fabrics

## Fabric



**Category A**

**Composition** 70% Recycled Wool, 25% Recycled Polyacryl,  
5% Recycled Other Fabrics

**Weight** 405 g/m<sup>2</sup> | 11.94 oz/yd<sup>2</sup>

**Abrasion resistance** 40.000 Martindale, 50,000 Wyzenbeek

**Flammability** EU: EN 1021.1/2006 | BS EN 1021.1/2006 (cigarette).  
EN 1021.2/2006 | BS EN 1021.2/2006 (match)  
USA: CAL TB 117 | ASTM E84 CLASS A

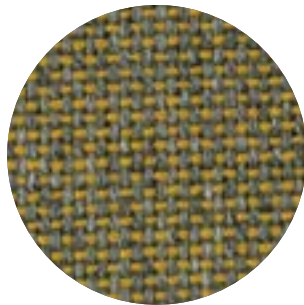
**Fastness to light** EU: 4 | USA 4

**Fastness to rubbing** EU: Wet 3-4 | Dry 4-5

**Fastness to crocking** USA: Wet 5 | Dry 5



## Rough



**Category A**

**Composition** 100% Polyacryl

**Weight** 456 g/m<sup>2</sup> | 13.45 oz/yd<sup>2</sup>

**Abrasion resistance** 40.000 Martindale

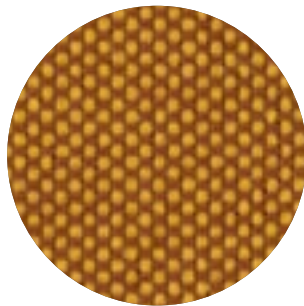
**Flammability** EU: EN 1021.1/2006 | BS EN 1021.1/2006 (cigarette)  
USA: CAL TB TB 117

**Fastness to light** EU: 5

**Fastness to rubbing** EU: Wet: 3 | Dry: 3



## Trevira CS+ | CS



**Category A**

**Weight** 420 g/m<sup>2</sup> | 12.39 oz/yd<sup>2</sup>

**Composition** 100% Polyester, Trevira CS

**Abrasion resistance** 100.000 Martindale, 90,000 Wyzenbeek

**Flammability** BS 5852 part II: CRIB 5 | BS 7176 Medium Hazard  
USA: CAL TB 117 | M1 | B1 | EN 1021/1-2 | C1 |  
IMO Res. A652 (16)

**Fastness to light** EU: 6 | USA 5

**Fastness to rubbing** EU: Wet 4-5 | Dry 4-5

**Fastness to crocking** USA: Wet 5 | Dry 5



## Revive 1

kvadrat



**Category A**

**Composition** 100% recycled polyester FR

**Weight** 430 g/lin.m

**Abrasion resistance** 60.000 Martindale rubs, EN ISO 12947

**Flammability** EN 1021-1/2 | DIN 4102 B1 | Önorm B1/Q1  
UNI 9175 11M | US Cal. Tech. Bull. 117  
IMO A.652 (16)

**Fastness to light** Note 5-7, ISO 105-B02

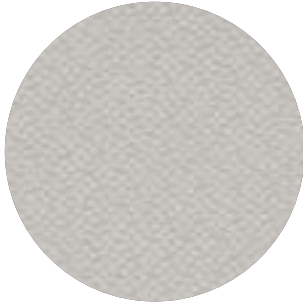
**Fastness to rubbing** (ISO) dry 5, wet 4-5

**Pilling** Note 4-5, EN ISO 12945



## Revive 2

kvadrat



**Category A**

**Composition** 100% recycled polyester FR

**Weight** 420 g/lin.m

**Abrasion resistance** 45.000 Martindale rubs, EN ISO 12947

**Flammability** EN 1021-1/2 | DIN 4102 B1 | Önorm B1/Q1  
UNI 9175 11M | US Cal. Tech. Bull. 117  
IMO A.652 (16)

**Fastness to light** Note 5-7, ISO 105-B02

**Fastness to rubbing** (ISO) dry 5, wet 4-5

**Pilling** Note 4-5, EN ISO 12945



## Velvet



**Category B**

**Composition** 100% PES

**Weight** 375 g/m<sup>2</sup> | 11.06 oz/yd<sup>2</sup>

**Abrasion resistance** > 100.000 Martindale

**Fastness to light** EU: 4-5

**Fastness to rubbing** EU: Wet 4 | Dry 4-5

**Pilling** EU: 4-5

## Terra



**Category B**

**Composition** 100% Pure New Wool

**Weight** 370 g/m<sup>2</sup> | 10.91 oz/yd<sup>2</sup>

**Abrasion resistance** 40.000 Martindale, 25,000 Wyzenbeek

**Flammability** EU: BS5852 CRIB 5 | BS5867 PART 2 : 2008 : TYPE B  
EN: 1021.2/2006 | USA: CAL TB 117

**Fastness to light** EU 5 | USA 5

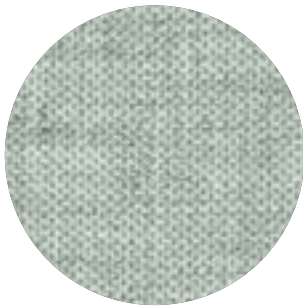
**Fastness to rubbing** EU: Wet 4 | Dry 4

**Fastness to crocking** USA: Wet 4 | Dry 4



## Clara 2

kvadrat



**Category B**

**Composition** 92% new wool, 8% nylon

**Weight** 400 g/lin.m

**Abrasion resistance** 80.000 Martindale rubs, EN ISO 12947

**Flammability** EN 1021-1/2 | BS 5852, ignition source 2-3 | DIN 4102 B2  
NF D 60 013 | UNI 9175 11M | US Cal. Tech. Bull. 117, Sec. E  
NFPA 260 | IMO A.652(16)

**Fastness to light** Note 5-7, ISO 105-B02

**Fastness to rubbing** (ISO) dry 4-5, wet 4

**Pilling** Note 4, EN ISO 12945



## Remix 2

kvadrat



**Category B**

**Composition** 90% new wool, 10% nylon

**Weight** 415 g/lin.m

**Abrasion resistance** 100.000 Martindale rubs, EN ISO 12947

**Flammability** EN 1021-1/2 | BS 5852 part 1

Önorm B1/Q1 | NF D 60 013 | UNI 9175, 1IM

AS/NZS 1530.3 | Cal. Tech. Bull. 117-2013

NFPA 260 | IMO FTP Code 2010:Part 8

**Fastness to light** Note 5-7, ISO 105-B02

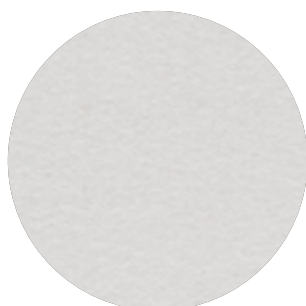
**Fastness to rubbing** (ISO) dry 4-5, wet 4

**Pilling** Note 4, EN ISO 12945



## Hero

kvadrat



**Category C**

**Composition** 96% new wool, 4% nylon

**Weight** 580 g/lin.m

**Abrasion resistance** 45.000 Martindale rubs, EN ISO 12947

**Flammability** EN 1021-1/2 | DIN 4102 B2 | NF D 60 013

UNI 9175 1IM | US Cal. Bull. 117-2013 | NFPA 260

IMO A.652 (16)

**Fastness to light** Note 5-6, ISO 105-B02

**Fastness to rubbing** (ISO) dry 4-5, wet 4-5

**Pilling** Note 3-4, EN ISO 12945



## Tonus 4

kvadrat



**Category D**

**Composition** 90% new wool, 10% Helanca

**Weight** 665 g/lin.m

**Abrasion resistance** 100.000 Martindale rubs, EN ISO 12947

**Flammability** EN 1021-1/2 | BS 5852 part 1 | DIN 4102 B2

Önorm B1/Q1 | NF D 60 013 | UNI 9175 1IM

US Cal. Bull. 117-2013 | NFPA 260 | IMO A.652 (16)

**Fastness to light** Note 5-7, ISO 105-B02

**Fastness to rubbing** (ISO) dry 3-5, wet 3-5

**Pilling** Note 3, EN ISO 12945





## Memory 2

kvadrat



**Category** E

**Composition** 100% Trevira CS

**Weight** 700 g/lin.m

**Abrasion resistance**

35.000 rubs acc. to the Martindale method, EN ISO 12947

**Flammability** EN 1021-1/2 | DIN 4102 B1 | Önorm B1/Q1  
NF D 60 013 | NF P 92 507 M1 | UNI 9175 11M  
UNI 9177 classe 1 | US Cal. Tech. Bull. 117  
IMO A.652 (16)

**Fastness to light** Note 5-8, ISO 105-B02

**Fastness to rubbing** (ISO) dry 4-5, wet 4-5

**Pilling** Note 4, EN ISO 12945



## Matrix

kvadrat



**Category** F

**Composition** 100% Trevira CS

**Weight** 760 g/lin.m

**Abrasion resistance**

App. 60.000 rubs acc. to the Martindale method, EN ISO 12947

**Flammability** EN 1021-1/2 | BS 5852 crib 5 | BS 5867 part 2 type B  
DIN 4102 B1 | Önorm B1/Q1 | NF D 60 013  
UNI 9175 11M | US Cal. Tech. Bull. 117 | NFPA 701  
IMO A.652 (16)

**Fastness to light** Note 5-7, ISO 105-B02

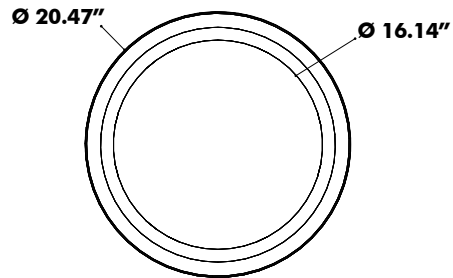
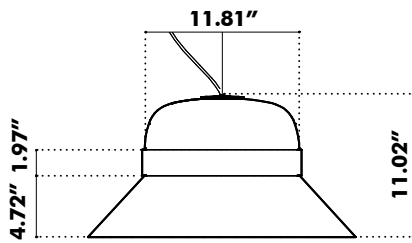
**Fastness to rubbing** (ISO) dry 4-5, wet 4-5

**Pilling** Note 4, EN ISO 12945

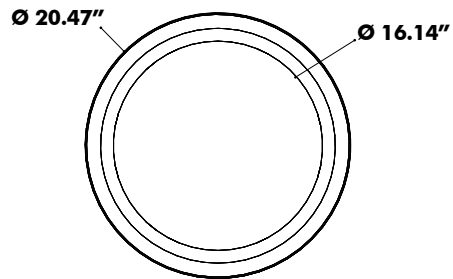
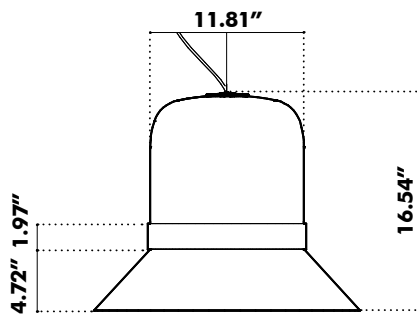


# Dimensions

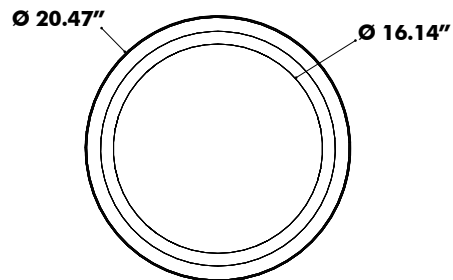
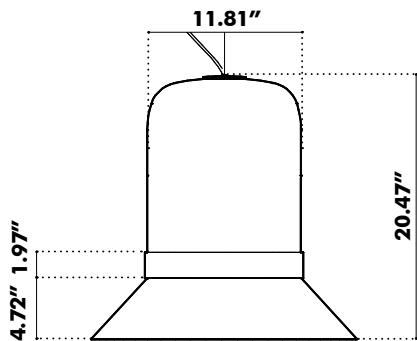
## BuzziHat S



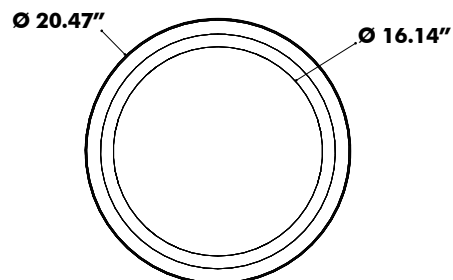
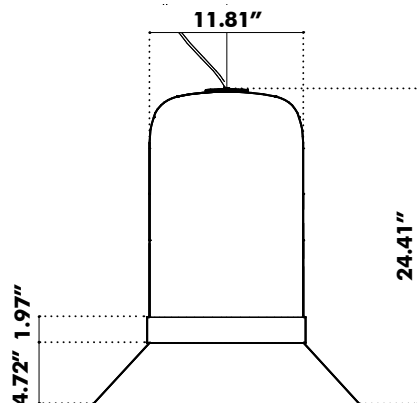
## BuzziHat M



## BuzziHat L

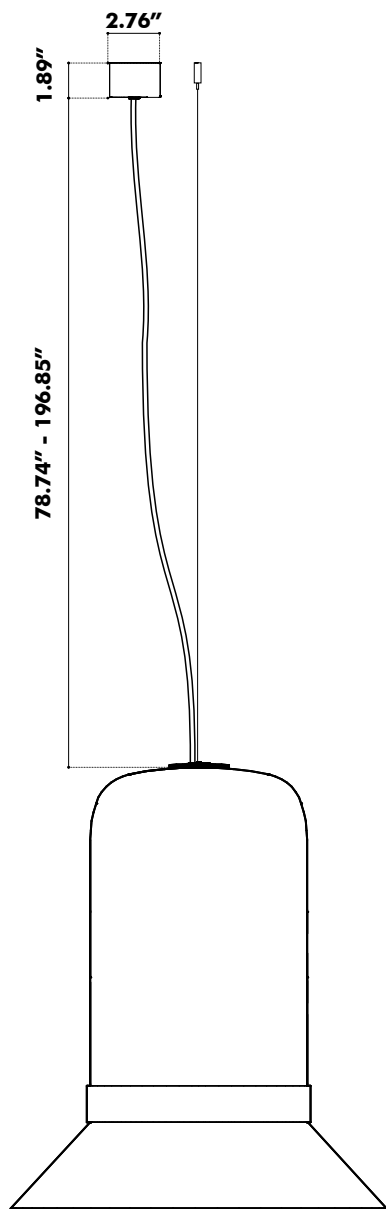


## BuzziHat XL



---

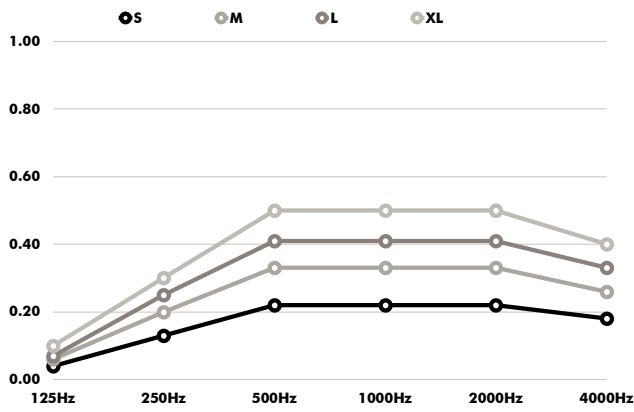
# Suspension Set



# Acoustics

## BuzziHat

Equivalent sound absorption area in m<sup>2</sup> per object



Hz	S Aeq/m <sup>2</sup>	M Aeq/m <sup>2</sup>	L Aeq/m <sup>2</sup>	XL Aeq/m <sup>2</sup>
125	0.04	0.06	0.07	0.10
250	0.13	0.20	0.25	0.30
500	0.22	0.33	0.41	0.50
1000	0.22	0.33	0.41	0.50
2000	0.22	0.33	0.41	0.50
4000	0.18	0.26	0.33	0.40