

**Description:**

An organic-looking suspension lamp with an aluminum shade. Direct and reflected light. Available in textured monochromatic white or black matte finishes; and textured matte two-toned black and white, with gold interior.

Materials:

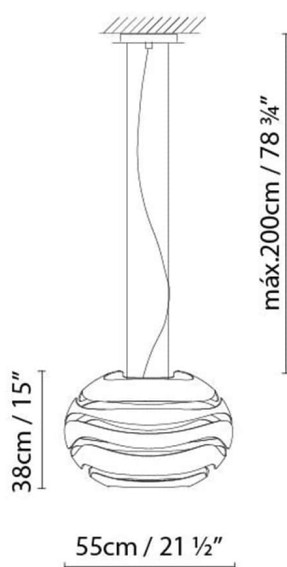
Aluminio.

Certifications:

IP20


110-230V

TREE SERIES S50

**Light source:**

LED LED 11W (E26)

 Fluo/CFL 23W (E26)

 Inc. 60W (E26)

Weight :

Net kg: 6.1

Gross kg: 10.5

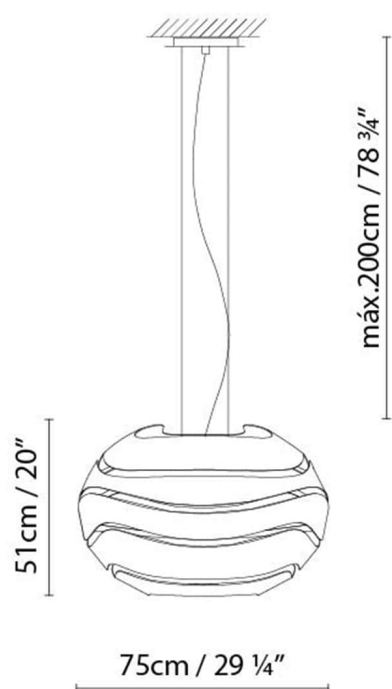

Packaging:

N. packages: 1

Volumen m3: 0.220

Dimensions cm: 60x60x62

TREE SERIES S75

**Light source:****LED** LED 2 x 11W (E26) Fluo/CFL 2 x 23W (E26) Inc. 2 x 60W (E26)**Weight :**

Net kg: 15.0

Gross kg: 19.8

Packaging:

N. packages: 1

Volumen m³: 0.600

Dimensions cm: 90x99x68

Collection



Designer
Technical drawing
3D
Assembly instructions