

**Description:**

Adjustable suspension lamp with a metal structure and opaline glass diffuser. Finishes: Textured matte beige, textured matte red, or textured matte grey, each with a textured white interior. Available in two sizes.

**Materials:**

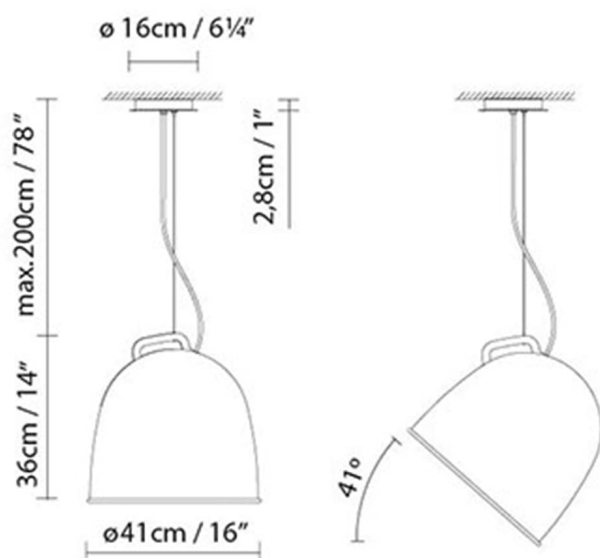
Aluminum.

**Certifications:**


IP20


120V

## SCOUT S40

**Light source:**

**LED** LED 2 x 11W (E26)

 Fluo/CFL 2 x max. 20W (E26)

 Inc. 2 x max. 70W (E26)

**Weight :**

Net kg: 4.5

Gross kg: 6.4

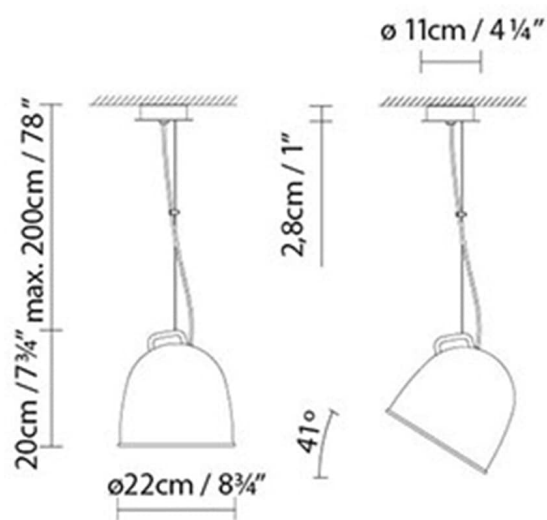


**Packaging:**

N. packages: 1

Volumen m3:

Dimensions cm:

## SCOUT S22

**Light source:****LED** LED 2 x 5W (E12) Fluo/CFL 2 x max. 11W (E12) Inc. 2 x max. 40W (E12)**Weight :**

Net kg: 1.64

Gross kg: 2.46

**Packaging:**

N. packages: 1

Volumen m3: 0.035

Dimensions cm: 32.5x32.5x33.5

Designer  
Technical drawing  
Fotometría  
3D  
Assembly instructions