

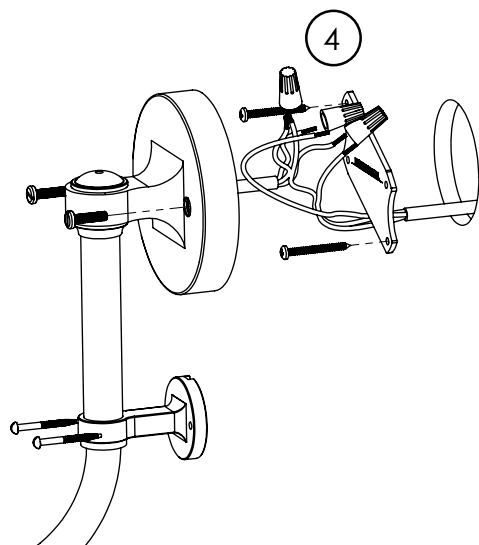
Connect the lamp wires to the supply wires **(4)**.

Be sure to connect all grounding wires (green) to the same wire nut. Wire nuts or similar connectors are not in the box with the lamp.

Tuck wires carefully inside the base of the lamp and place the lamp on the wall bracket.

Fasten screw and lock the lamp to the wall. Be careful not to squeeze any wires between the edge of the lamp and the wall as well as inside the lamp base.

Place light bulb in lamp and turn the power on.



Technical information:

Light source: CAUTION: TO REDUCE THE RISK OF FIRE, USE MAX. 40 WATT INCANDESCENT, E12, type b bulb, 120V 60Hz AC ONLY. Alternatively max. 30W halogen bulb.
Turn power off when changing light bulb.
The lamp is not approved for outdoor use or use in damp/wet rooms.

Some advice on cleaning your BestLite:

Powder coated parts – base/bracket and shade:

Wipe the parts with a damp cloth soaked in warm water and a bit of mild detergent.

Chrome plated parts:

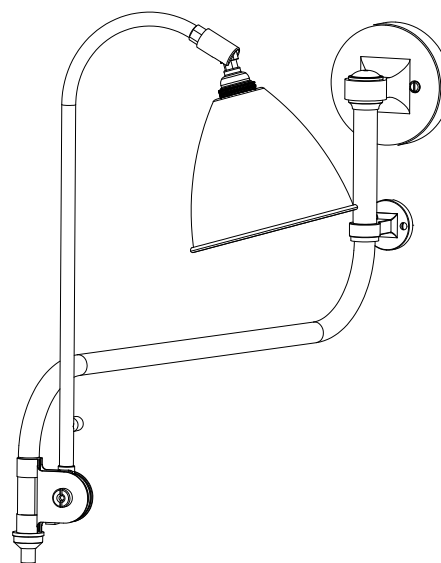
Wipe the lamp with a damp cloth and wipe dry to bring up lustre.

If the surface is sticky use a metal polish made especially for chromium or other soft metals.

Use only soft cloth for wiping and polishing, never sponges or steel wool.

Do not use abrasive household cleaners.

Do not use acidic or alkaline cleaning materials, glass cleaner or household ammonia.



Dear BestLite customer,

Congratulations on your BestLite!

You have chosen a genuine design classic, which has been in continuous production for more than 75 years.

On the other side of this leaflet you will find some useful instructions for the use of your BestLite.

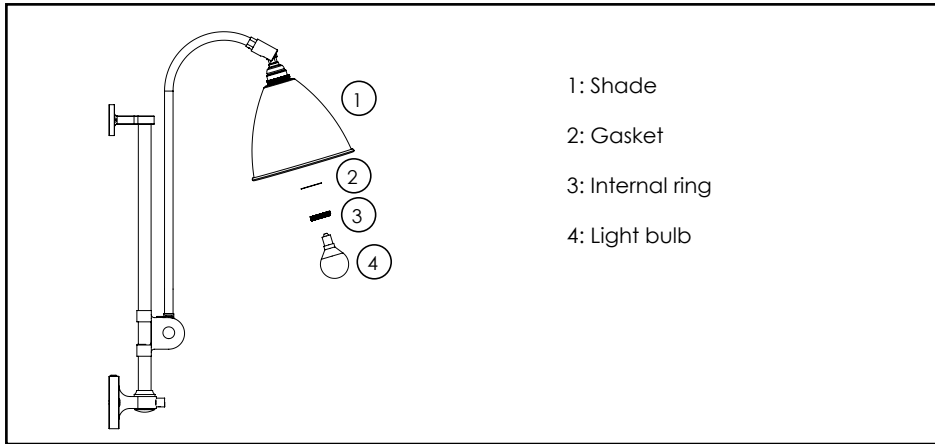
Should you have any questions, please feel free to e-mail us at gubi@gubi.com or visit us at www.gubi.com.

Best regards,
BestLite

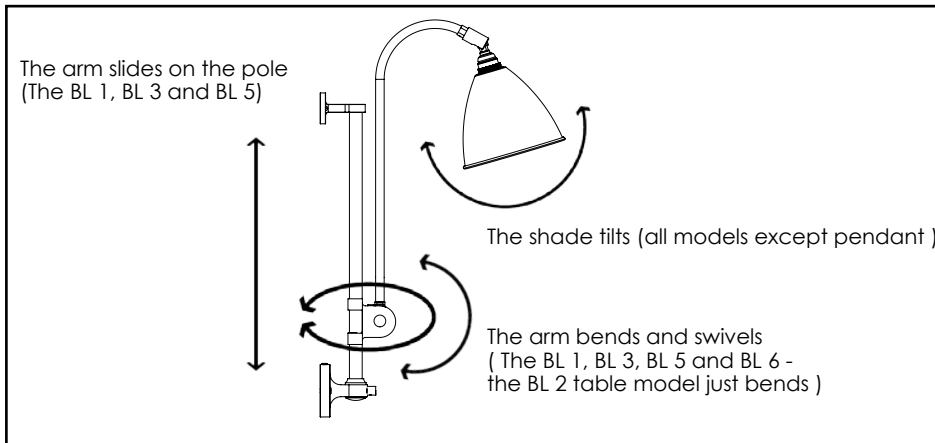
001-103xx

BESTLITE

— BY GUBI —



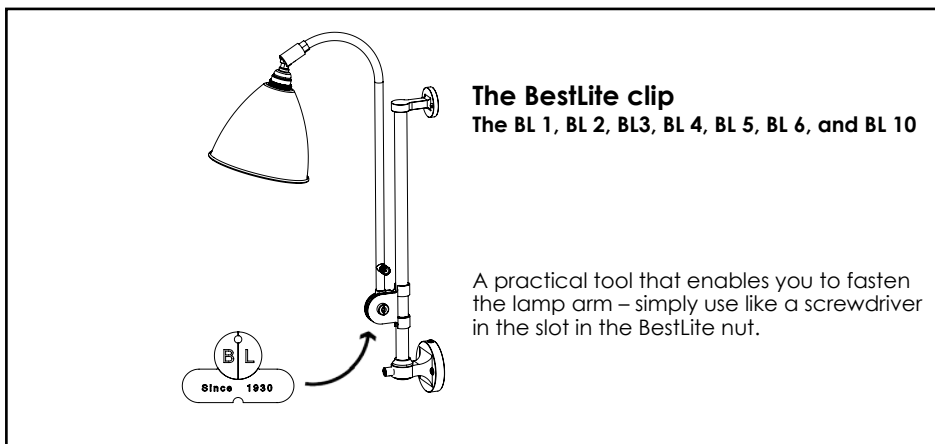
- 1: Shade
- 2: Gasket
- 3: Internal ring
- 4: Light bulb



The arm slides on the pole
(The BL 1, BL 3 and BL 5)

The shade tilts (all models except pendant)

The arm bends and swivels
(The BL 1, BL 3, BL 5 and BL 6 -
the BL 2 table model just bends)



The BestLite clip
The BL 1, BL 2, BL3, BL 4, BL 5, BL 6, and BL 10

A practical tool that enables you to fasten
the lamp arm – simply use like a screwdriver
in the slot in the BestLite nut.

Wall mounting:

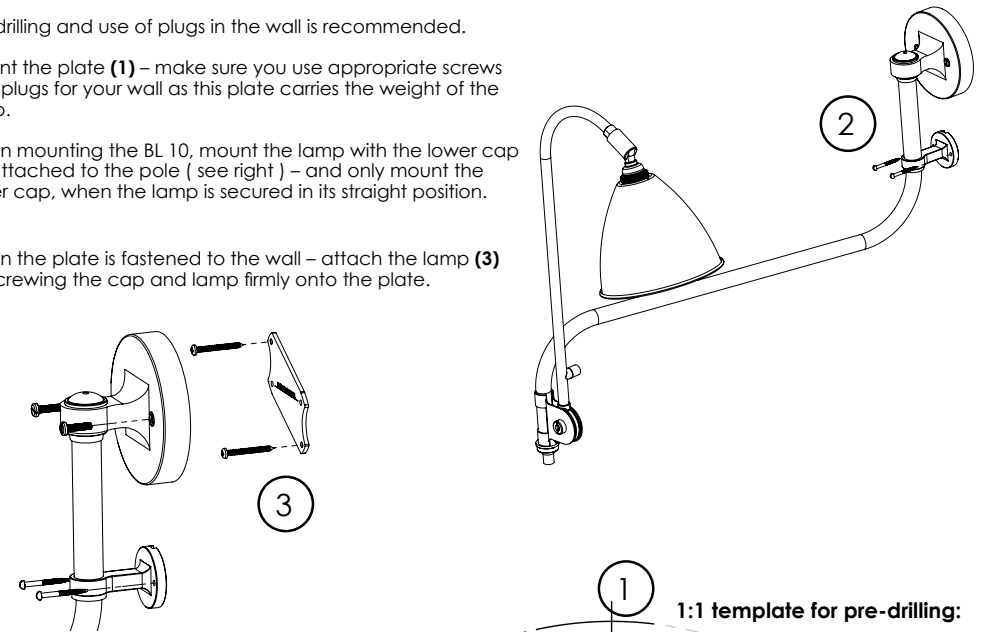
Choose and pencil mark the spot carefully.

Pre-drilling and use of plugs in the wall is recommended.

Mount the plate (1) – make sure you use appropriate screws and plugs for your wall as this plate carries the weight of the lamp.

When mounting the BL 10, mount the lamp with the lower cap (2) attached to the pole (see right) – and only mount the lower cap, when the lamp is secured in its straight position.

When the plate is fastened to the wall – attach the lamp (3) by screwing the cap and lamp firmly onto the plate.



The wall mounting plate

Two holes, above and below centerline, mount the plate to the wall through these – use appropriate screws and plugs.

Two threaded holes, mount the cap through these. Use the enclosed BestLite screws in these holes (see below).

Position of these two holes should always be horizontal.

Mounting the plate as shown is important since the lamp is only straight if this plate is straight.

1:1 template for pre-drilling:

Cut out or make a photocopy, and use directly on your wall for accurate placing of the holes.

Make sure the horizontal line is in level – pencil marks helps!

