

**General Product information**

This product is suitable for indoor dry locations only.

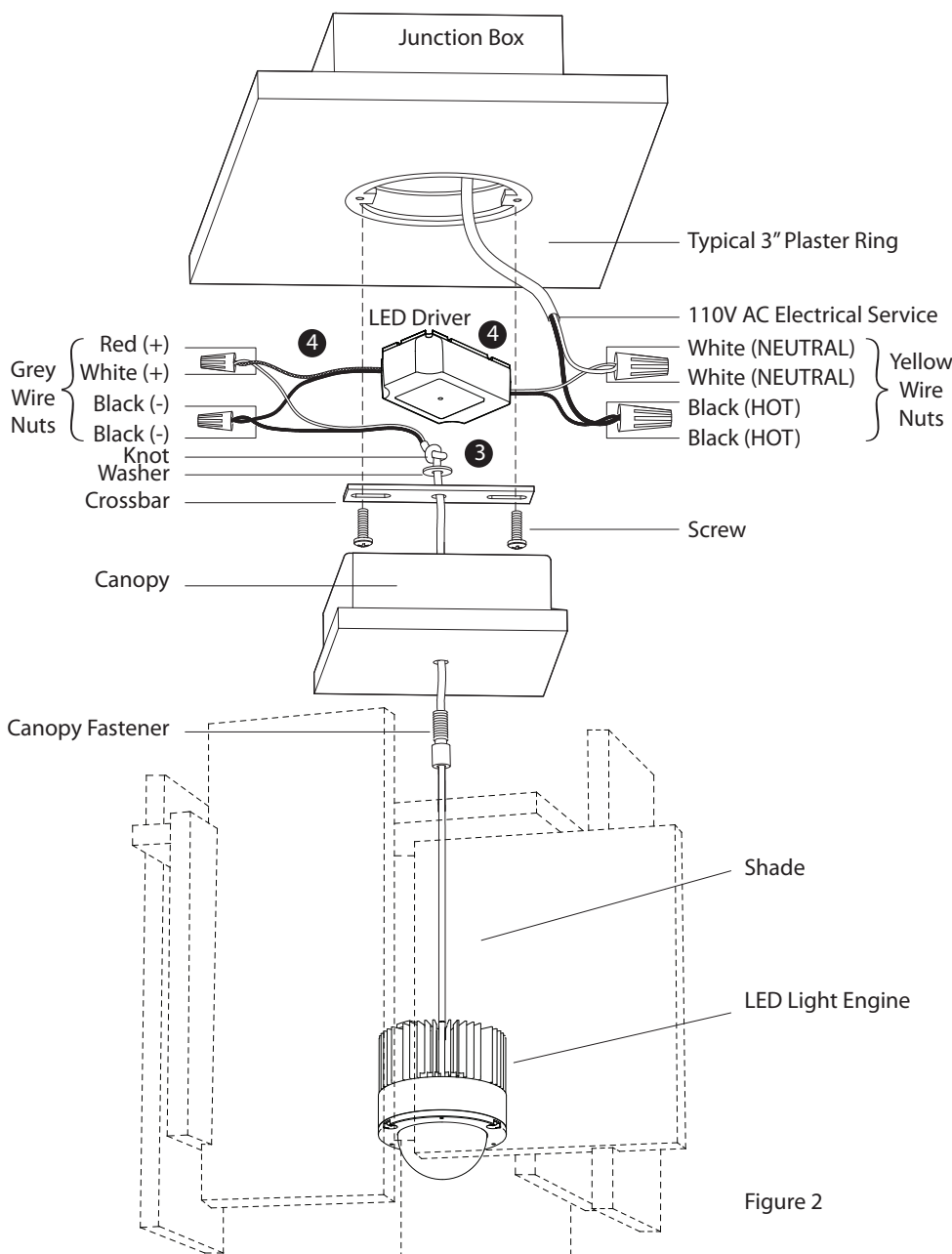
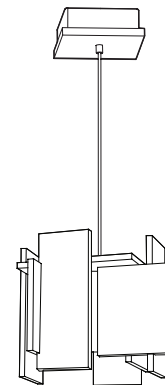
This product can be dimmed with an electronic low voltage (ELV) dimmer. Please see "Dimmer Compatibility" section of these instructions for more information.



**CAUTION - RISK OF FIRE**



This product requires installation by a qualified electrician. Before installing be sure to read all instructions and **TURN POWER OFF TO THE JUNCTION BOX**



**Adjusting the Fixture Height**

- 1 Measure the desired height (H) that you want the fixture to hang below the ceiling.
- 2 Thread the cable through the top diffuser, shade, thumb nut, canopy, crossbar assembly, and washer. (See Figure 2)
- 3 Tie a knot in the cable at the desired length H.

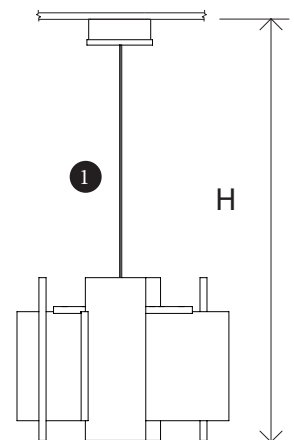


Figure 1

**Making Electrical Connections**

- 4 Make electrical connections as shown in figure 2 using the supplied wire nuts.

**WARNING**

THE LED DRIVER IS A DC DEVICE AND MUST BE ATTACHED TO THE LED LIGHT ENGINE AS SHOWN. CONNECTING THIS DEVICE INCORRECTLY WILL CAUSE SEVERE DAMAGE.

Figure 2

### Mounting the Fixture

- 5 Attach the crossbar to the junction box using the supplied 8-32 screws.

### Securing the Canopy

- 6 After electrical connections have been made, place line voltage connections and excess wire inside of the junction box.
- 7 Slide the canopy up the cable and secure it by screwing the canopy fastener into the crossbar.

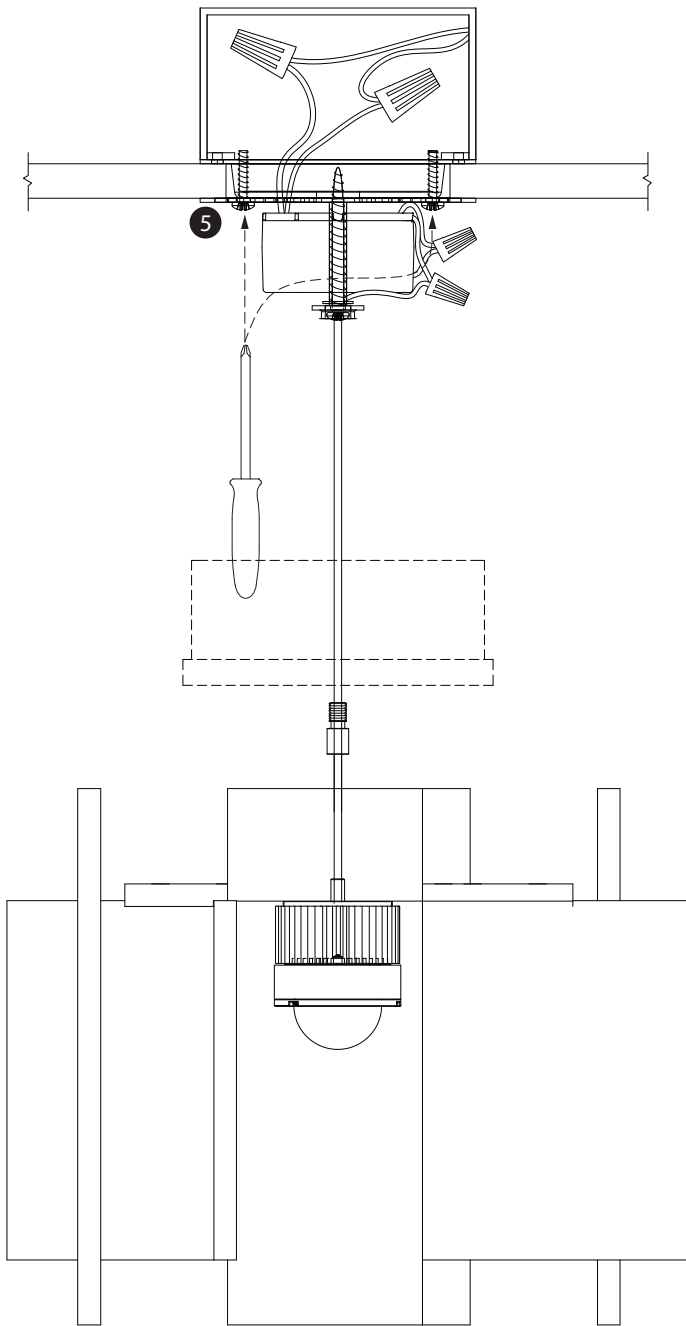


Figure 3

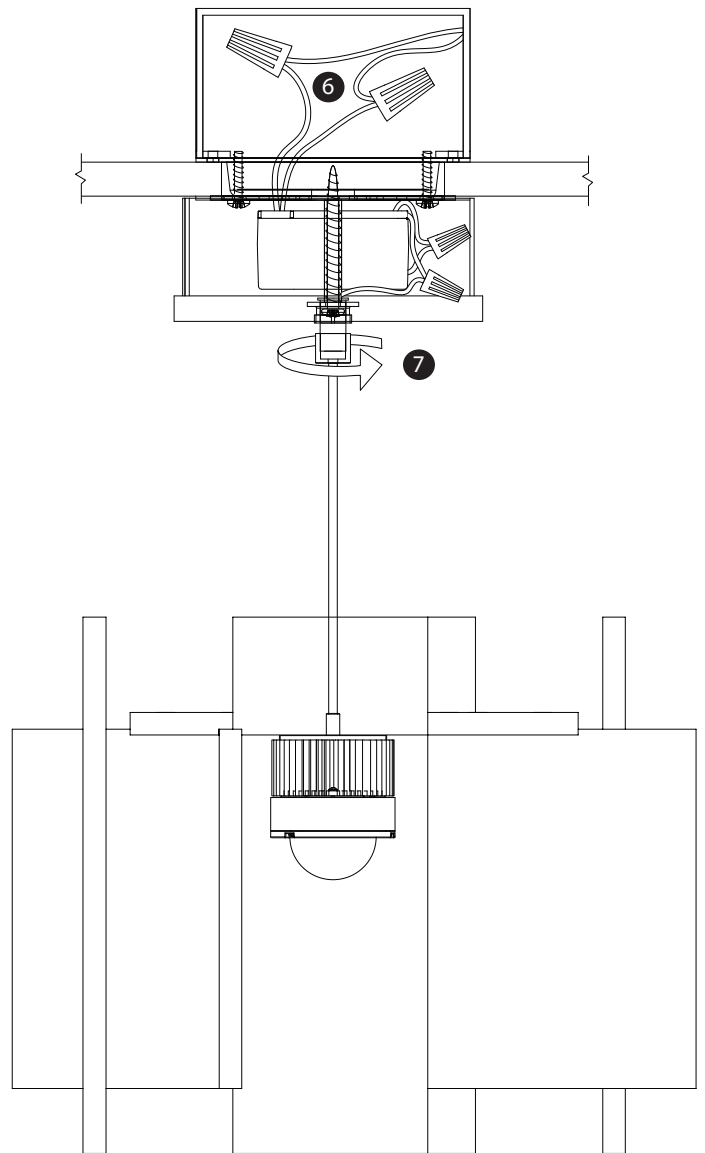


Figure 4