

NEMO^{USA}

APPLIQUE DE MARSEILLE

Le Corbusier

Le Corbusier designed the Applique de Marseille for his Paris apartment at Rue Nungesser et Coli. Wall lamp, double emission, in aluminum painted in matt grey or whitewash, with white internal diffusers.



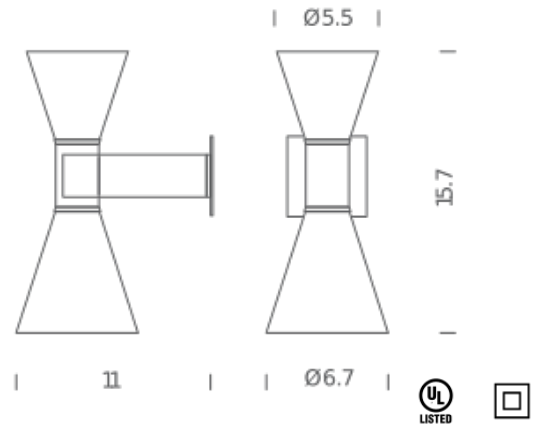
APPLIQUE DE MARSEILLE

Le Corbusier

E26 FLUO/LED/HALO

Lamping

Source	E26 A60
Total power	2 x 52W
Emission	DOUBLE EMISSION, DIRECT + INDIRECT
Switching	dimmable, according to bulb
Tension	120V
Ip class	20
Dimensions	6.7
Materials	aluminum + STEEL
Notes	mono switch, double emission, grey matt RAL7046, white wash (inside the diffuser) RAL9002



Codes

ADM EWW 31
whitewash
ADM EDD 31
grey / whitewash
Net lamp weight

Structure

whitewash

Diffuser

matt grey

5.5 lbs



Package 1

Dimensions 11.4
Gross weight 8.8 lbs